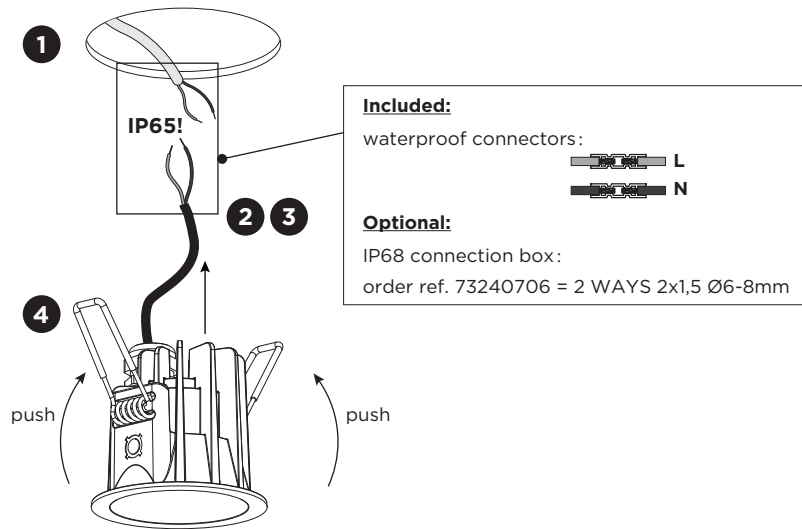


DEEP BIJOU IP65

INSTALLATION INSTRUCTIONS | MARCH 2023



Driver must be powered off before connecting the cables.

Before connecting the luminaire/LED module to the driver please make sure the driver is not powered but disconnected from the mains. The driver can only be powered when the luminaire/LED module is already connected. Disregarding this instruction might damage or even destroy the luminaire/LED module.

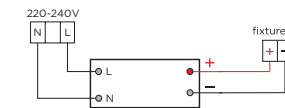
DIMENSIONS



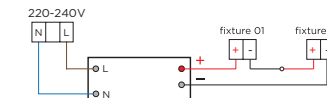
MOUNTING INSTRUCTION

- 1 Make a hole in the ceiling according to the prescribed dimensions.
- 2 Connect the luminaire to a driver. Driver is not included.
- 3 **POWER CONNECTION**
Always use a driver according to the specifications of the LED module/luminaire.
Make sure to use a waterproof connection with the same IP rating as the luminaire.

Single connection



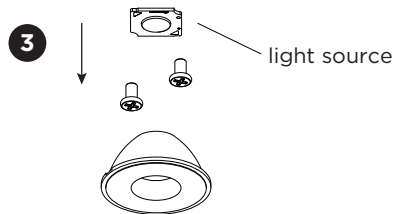
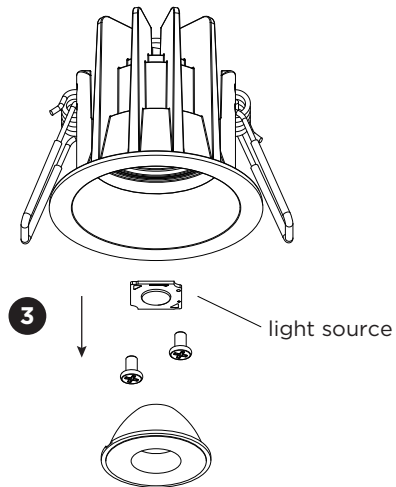
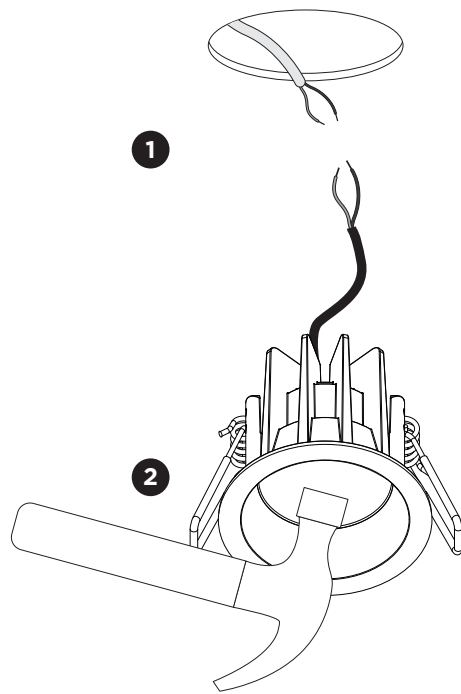
Multiple connection



- 4 For wire spring version: Push the springs up and insert the fixture in the ceiling hole.
For blade spring version: Insert the fixture in the ceiling hole.

DEEP BIJOU IP65

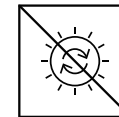
INSTALLATION INSTRUCTIONS | MARCH 2023



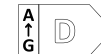
DISMOUNTING AND RECYCLING INSTRUCTIONS

Light source

- 1 Take the luminaire out of the ceiling hole and disconnect the wires.
- 2 Break the glass.
- 3 Take out the lens and unscrew the light source to remove it.



The light source is not replaceable.



This luminaire contains a light source with the energy class D.



WEVER & DUCRÉ
LIGHTING

WEVER & DUCRÉ BV
Spinnerijstraat 99/21, 8500 Kortrijk, Belgium
weverducre.com