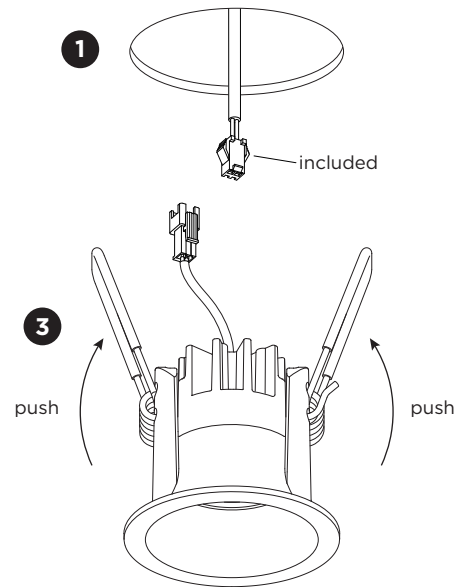


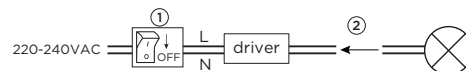
DEEP POINT IP20

INSTALLATION INSTRUCTIONS | DECEMBER 2023

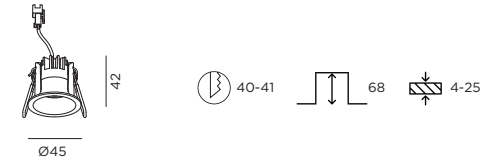


Driver must be powered off before connecting the cables.

Before connecting the luminaire/LED module to the driver please make sure the driver is not powered but disconnected from the mains. The driver can only be powered when the luminaire/LED module is already connected. Disregarding this instruction might damage or even destroy the luminaire/LED module.



DIMENSIONS



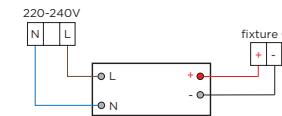
MOUNTING INSTRUCTION

1 Make a hole in the ceiling according to the prescribed dimensions.

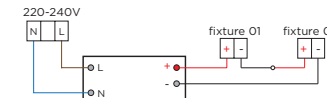
2 POWER CONNECTION

Always use a driver according to the specifications of the LED module.

Single connection



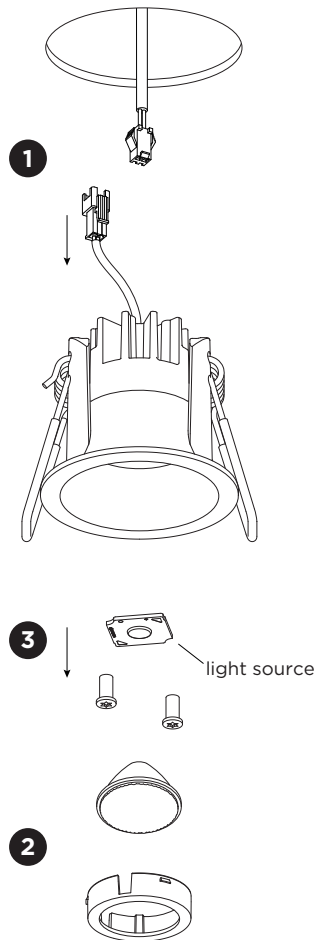
Multiple connection



3 Push the springs upwards and insert the fixture in the ceiling hole.

DEEP POINT IP20

INSTALLATION INSTRUCTIONS | DECEMBER 2023



DISMOUNTING AND RECYCLING INSTRUCTIONS

Light source

- 1** Take the luminaire out of the ceiling hole and disconnect the plugs.
- 2** Take out the snout and remove the lens.
- 3** Unscrew the light source to remove it.



The light source is replaceable by Wever & Ducré or by a professional with explicit authorisation. For more information please contact your local Wever & Ducré customer service point.



This luminaire contains a light source with the energy class E.