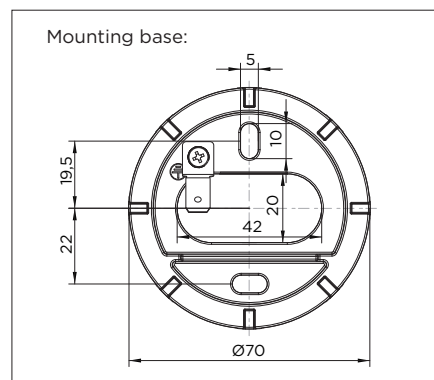
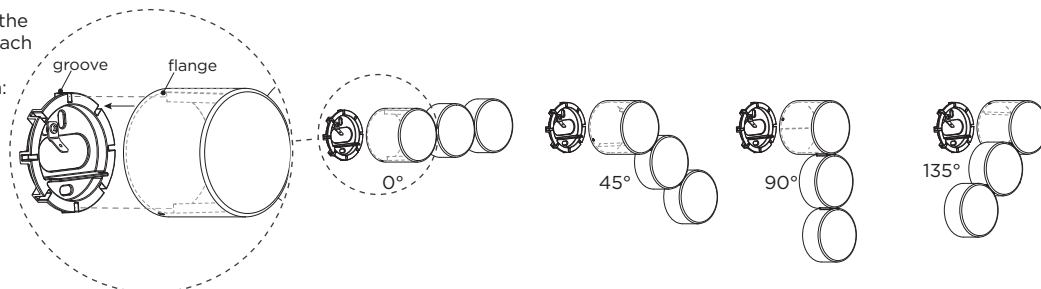
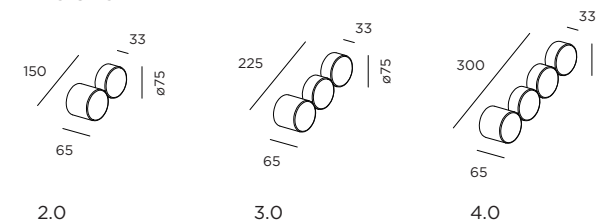


The flanges and the grooves match each other to achieve each 45° position:

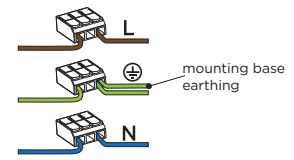


DIMENSIONS




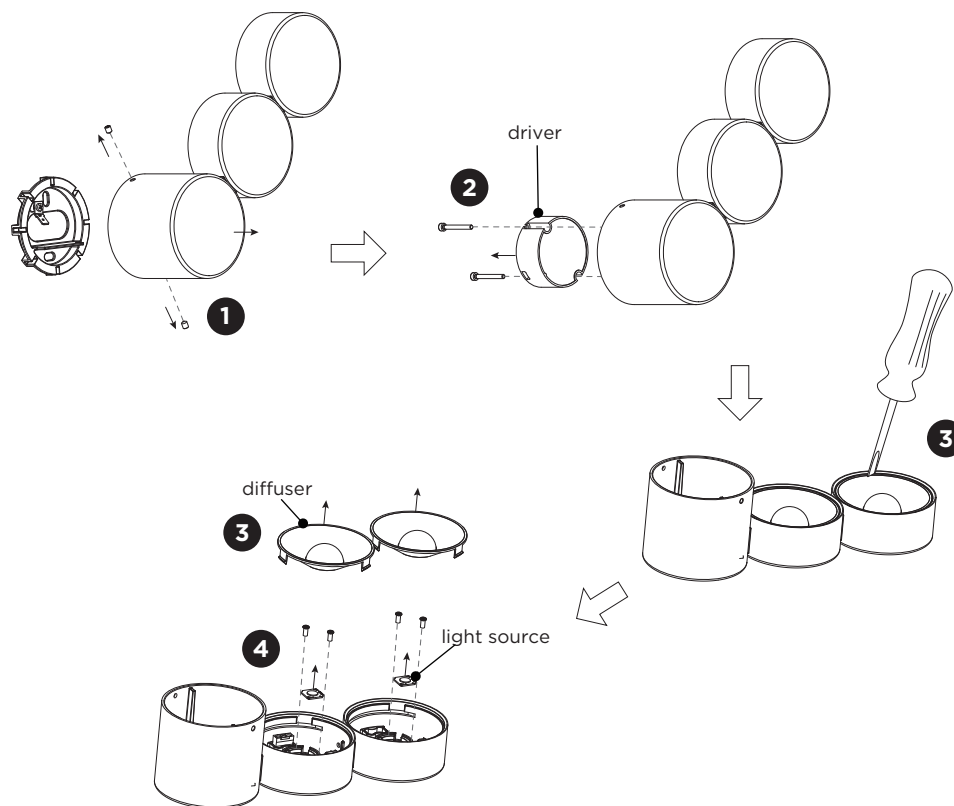
MOUNTING INSTRUCTION

- 1** Remove the mounting base from the luminaire by loosening the socket screws.
- 2** Mount the mounting base on the wall with screws (screws are not included).
- 3** POWER CONNECTION
Connect to 220-240V.



Connect the mounting base earth cable.


- 4** Fix the luminaire on the base with the socket screws.



DISMOUNTING AND RECYCLING INSTRUCTIONS

Light source & driver

- 1** Loosen the socket screws from the fixture to remove it from the mounting base.
- 2** Unscrew the screws, disconnect the wires and remove the driver.
- 3** Pull out the diffusers using any available tools.
- 4** Unscrew the screws, disconnect the wires and remove the light sources.



The driver can be replaced by the end user.



The light source is replaceable by an authorized professional.
For advice contact your Wever & Ducré customer service contact point.



This luminaire contains a light source with the energy class D.