

ELLO

09-Jul.-2019

13.0

LED 18W | 220-240VAC | 50-60Hz | PCB 3-step | phase-cut dim

CE IP20 0,3m

3000K | >90CRI | 981lm

white texture

500284W5

black texture

500284B5

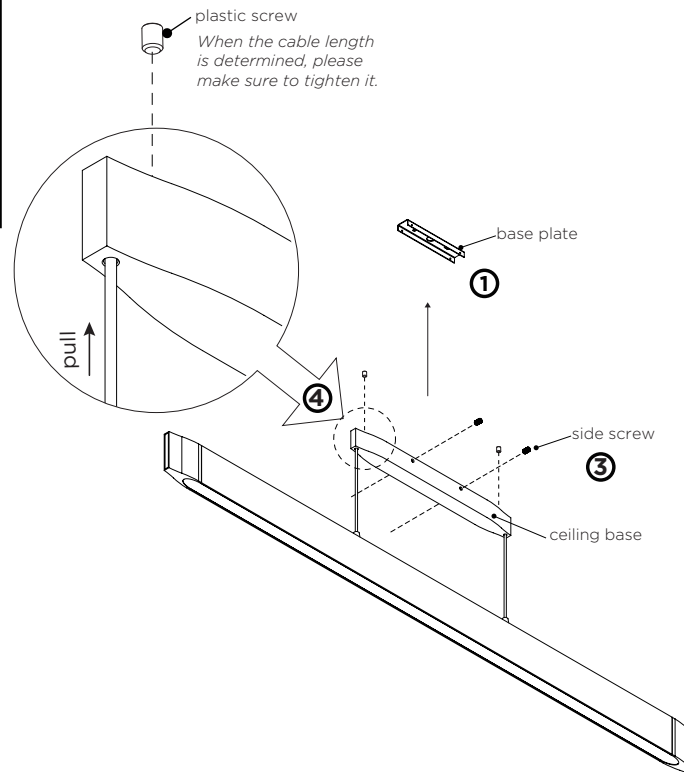
DALI | 3000K | >90CRI | 981lm

white texture

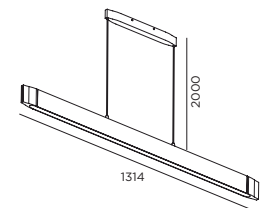
500285W5

black texture

500285B5



DIMENSIONS

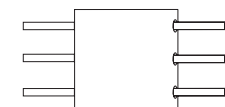


1 MOUNTING INSTRUCTION

Remove the base plate from the ELLO and attach to the ceiling with screws

2 POWER CONNECTION

Connect the LED driver.
connection: STANDARD version



3 Attach the ELLO ceiling base to the base plate with the side screws

4 For cable length adjustment:

- Loosen the plastic screw inside the ceiling base and adjust the cable to the desired length.
- Tighten the cable again with the plastic screw.
- Do the same with the cable on the other end of the luminaire.

base plate dimensions

