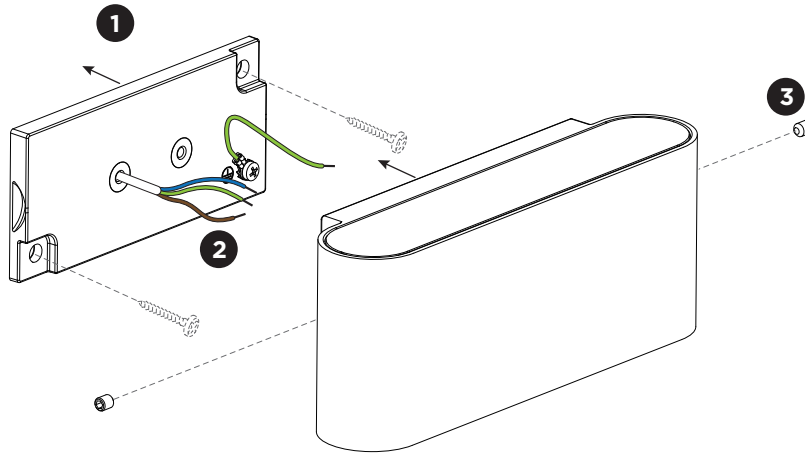
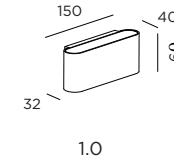


KIOSK wall

INSTALLATION INSTRUCTIONS | AUGUST 2023



DIMENSIONS



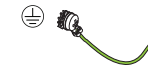
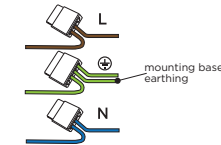
MOUNTING INSTRUCTION

1 Remove the mounting base by loosening the socket screws and fix it to the wall with screws (screws are not included).

2 **POWER CONNECTION**

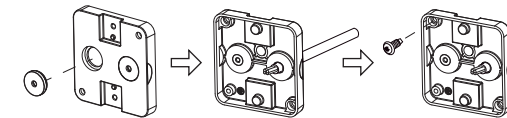
Connect to 220-240V.

Connect the earth cable.



Always use a matching grommet based on the used 220-240V cable and the corresponding type in the overview table.

for example:

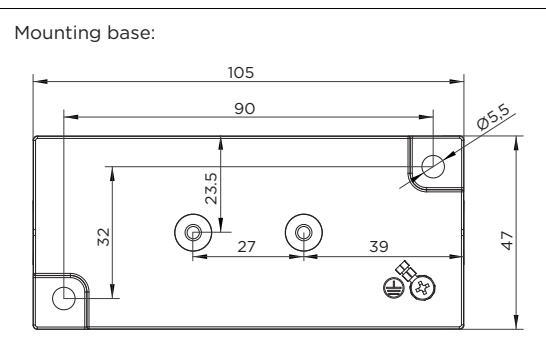


Push the grommet into the back plate.

Pull the cable through the back plate.

Mount the back plate on the wall.

3 Fix the fixture to the mounting base with the socket screws.

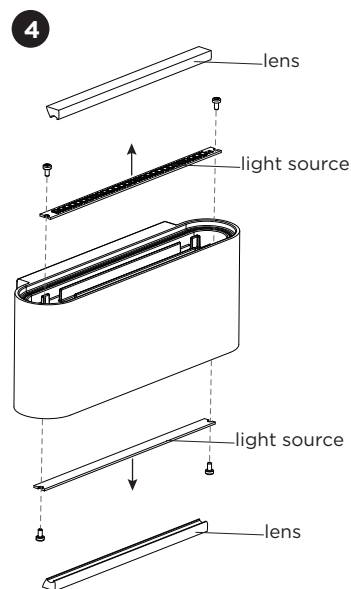
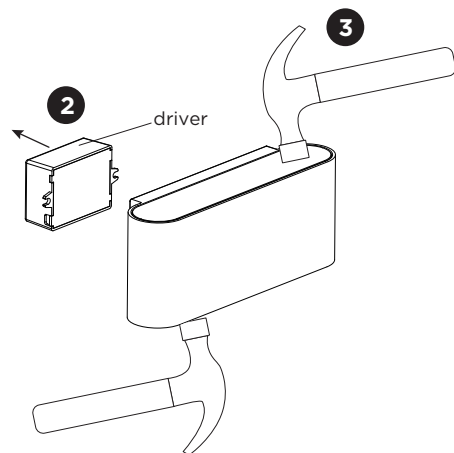
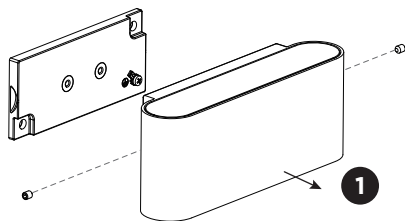


Always use a matching grommet in the overview table.

| | A | B | C |
|--------------------|---|--|---|
| | | | |
| CABLE | | | |
| TYPE | ROUND H05RN-F H07RN8-F H07RN-F | ROUND H05RN-F | ROUND |
| OUTSIDE Ø | min 6.8mm max 8.9mm | min 5mm max 6.8mm | min 1.5mm max 2.6mm |
| CONDUCTION SECTION | 2or3x 0.75mm ² 2or3x 1.0mm ² 2or3x 1.5mm ² | 2or3x 0.75mm ² 2x 1.0mm ² | 0.75mm ² 1.5mm ² |

KIOSK wall

INSTALLATION INSTRUCTIONS | AUGUST 2023



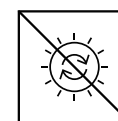
DISMOUNTING AND RECYCLING INSTRUCTIONS

Light source & driver

- 1 Dismount the fixture from the wall by loosening the socket screws and the wiring.
- 2 Remove the driver by pulling and disconnect the wires.
- 3 Break the glass.
- 4 Take out the lens(es) and unscrew the light source(s) to remove it /



The driver can be replaced by the end user.



The light source is not replaceable.



This luminaire contains a light source with the energy class E.



WEVER & DUCRÉ
LIGHTING

WEVER & DUCRÉ BV
Spinnerijstraat 99/21, 8500 Kortrijk, Belgium
weverducre.com