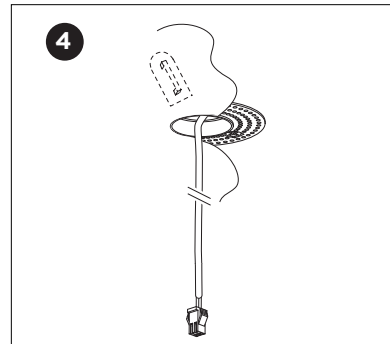
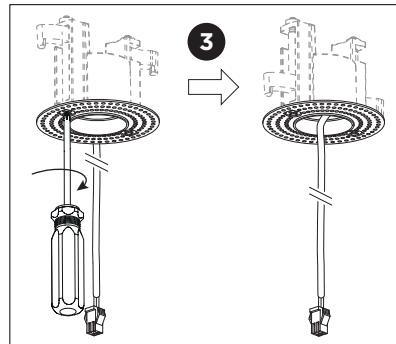
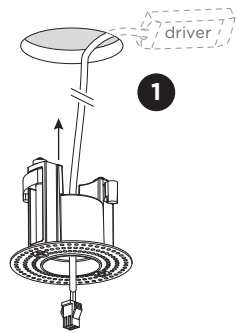
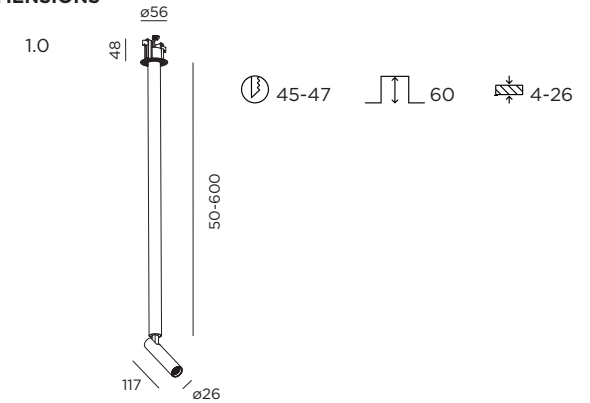


MATCH stick TRIMLESS

INSTALLATION INSTRUCTIONS | NOVEMBER 2023



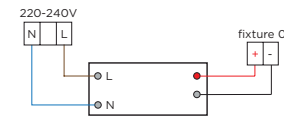
DIMENSIONS



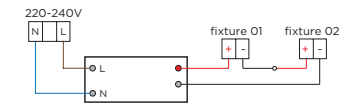
MOUNTING INSTRUCTION

- 1 Make a hole in the ceiling according to the prescribed dimensions and insert the plasterkit in the hole.
- 2 **POWER CONNECTION**
Always use a driver according to the specifications of the LED module.

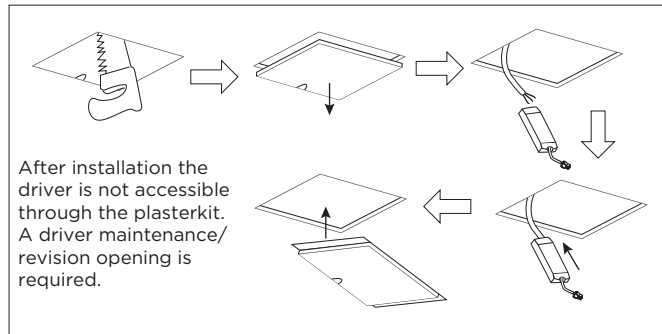
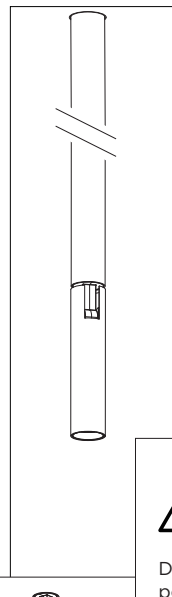
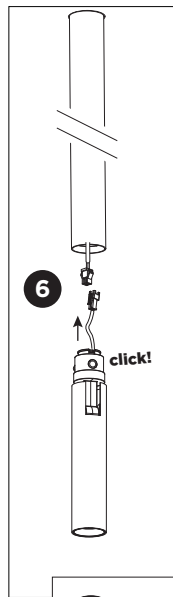
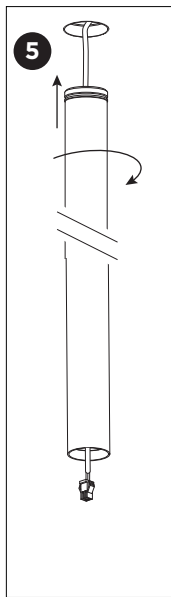
Single connection



Multiple connection

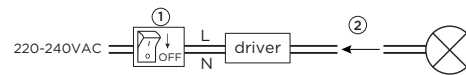


- 3 Tighten both screws. The plasterkit will clamp itself into the ceiling.
- 4 Plaster and paint the surface.
- 5 Install the stick to the plasterkit by screwing it in.
- 6 Connect the plugs and click the fixture into the stick.

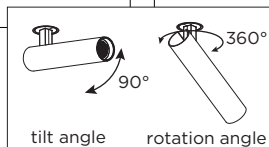


Driver must be powered off before connecting the cables.

Before connecting the luminaire/LED module to the driver please make sure the driver is not powered but disconnected from the mains. The driver can only be powered when the luminaire/LED module is already connected. Disregarding this instruction might damage or even destroy the luminaire/LED module.



Only to be installed outside arms reach.



tilt angle rotation angle



WEVER & DUCRÉ
LIGHTING

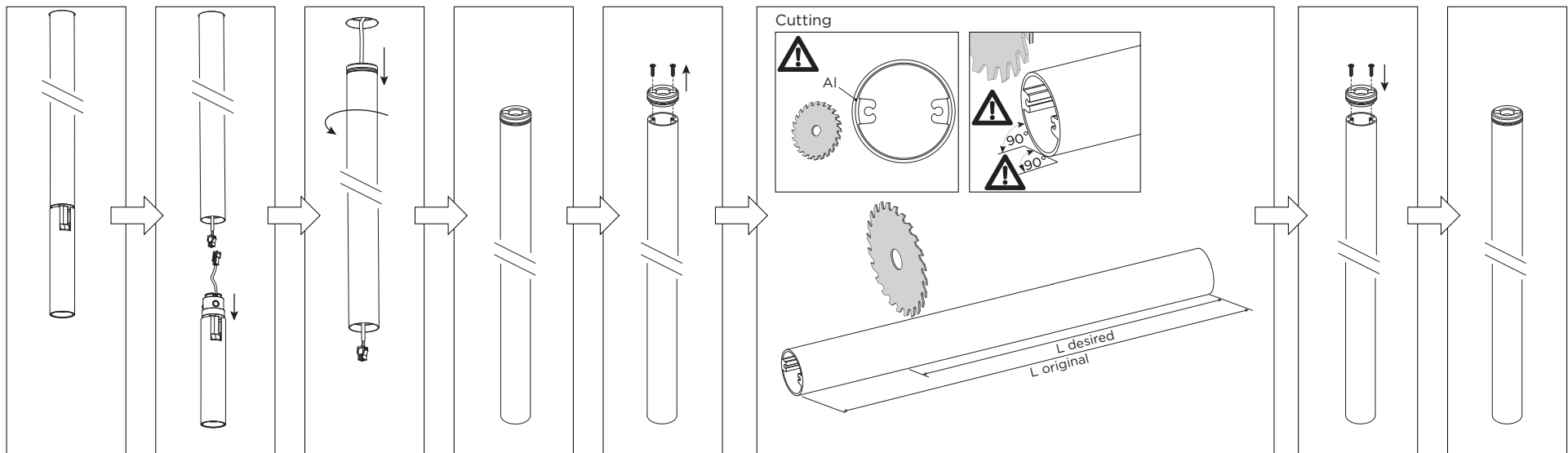
WEVER & DUCRÉ BV

Spinnerijstraat 99/21, 8500 Kortrijk, Belgium
weverducre.com

MATCH stick TRIMLESS

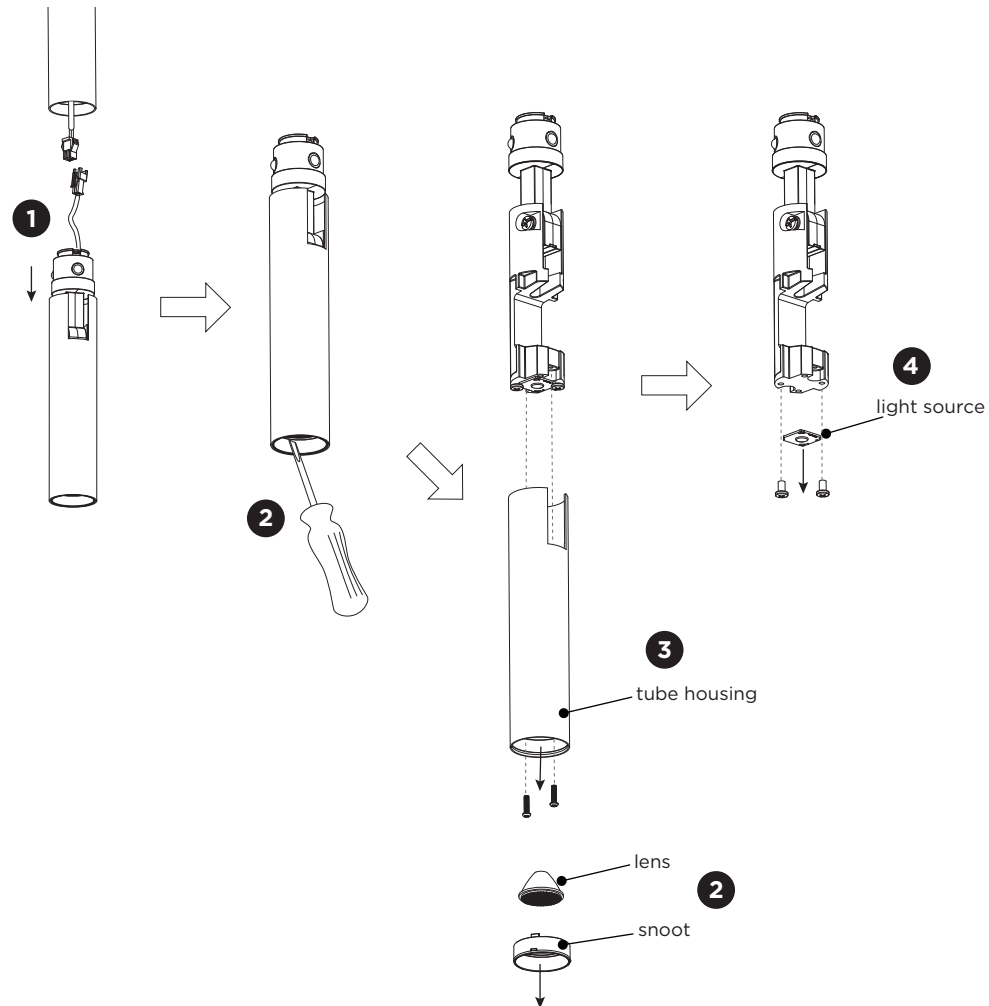
INSTALLATION INSTRUCTIONS | NOVEMBER 2023

How to cut the stick to the desired length:



MATCH stick TRIMLESS

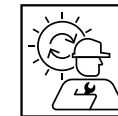
INSTALLATION INSTRUCTIONS | NOVEMBER 2023



DISMOUNTING AND RECYCLING INSTRUCTIONS

Light source

- 1 Remove the fixture from the stick by pulling and loosen the connector.
- 2 Take out the snoot using any available tools and remove the lens.
- 3 Unscrew the screws and remove the tube housing.
- 4 Unscrew the light source and loosen the wires to remove the light source.



The light source is replaceable by Wever & Ducré or by a professional with explicit authorisation. For more information please contact your local Wever & Ducré customer service point.



This luminaire contains a light source with the energy class E.