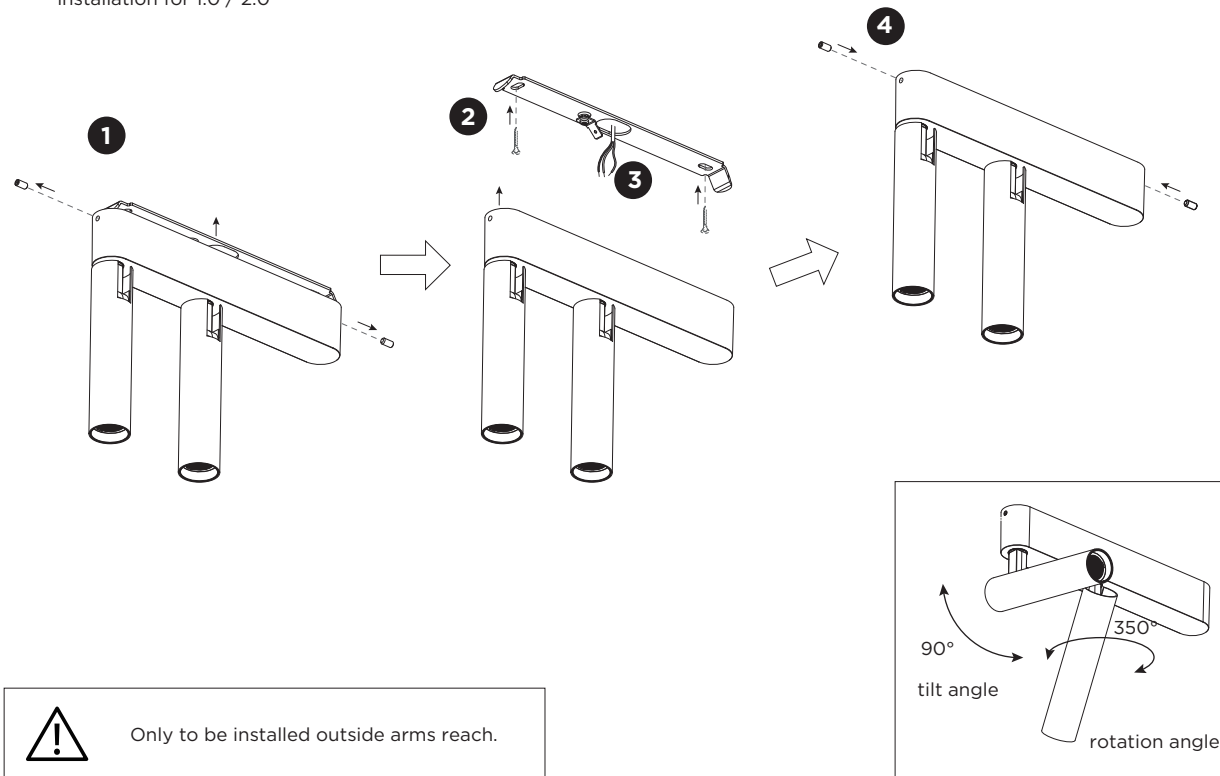


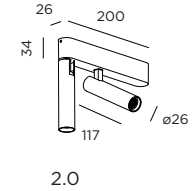
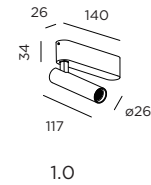
# MATCH ceiling surface

INSTALLATION INSTRUCTIONS | NOVEMBER 2022

installation for 1.0 / 2.0



## DIMENSIONS



## MOUNTING INSTRUCTION

- 1** Remove the mounting base from the luminaire by loosening the socket screws.
- 2** Mount the mounting base on the ceiling with screws (screws are not included).
- 3** POWER CONNECTION  
Connect to 220-240V.
 

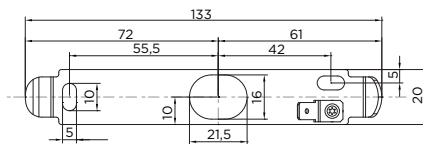
1.0

2.0

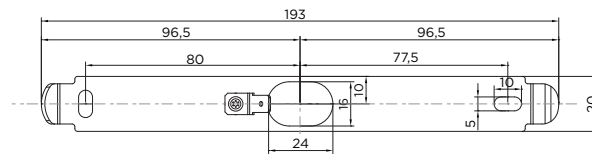
Connect the mounting base earth cable.
- 4** Fix the luminaire on the base with the socket screws.

Mounting base:

1.0



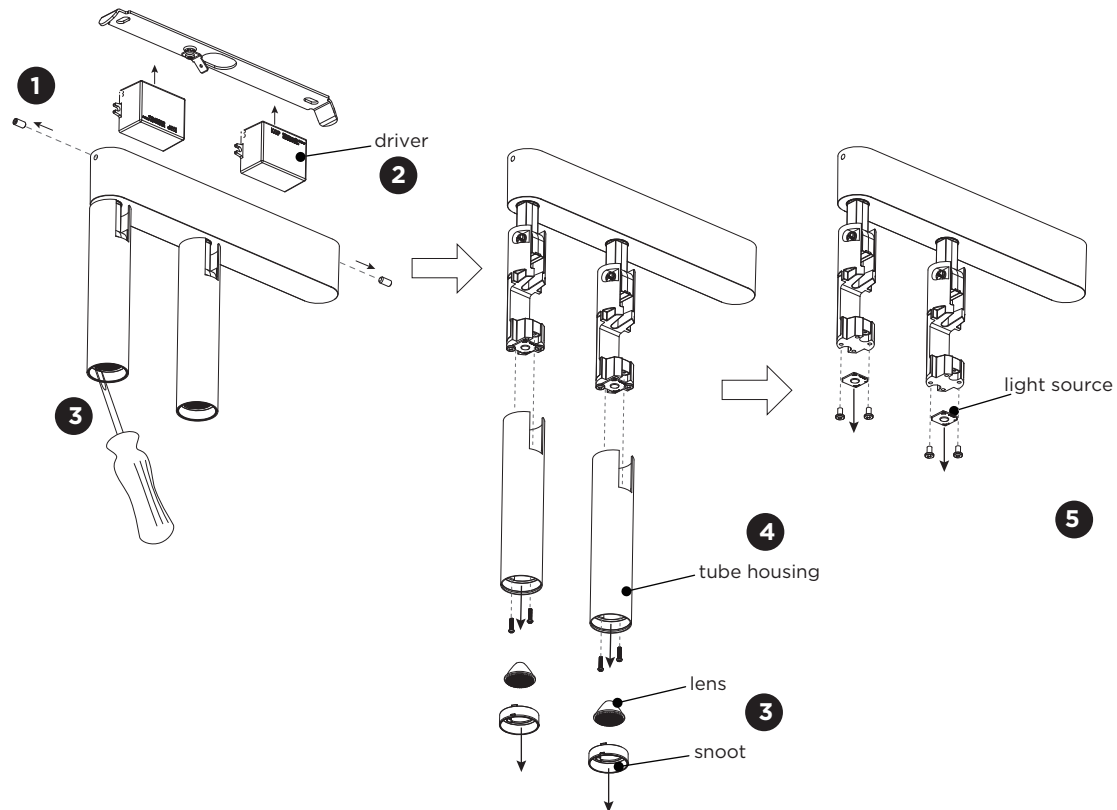
2.0



# MATCH ceiling surface

INSTALLATION INSTRUCTIONS | NOVEMBER 2022

dismounting for 1.0 / 2.0



## DISMOUNTING AND RECYCLING INSTRUCTIONS

### Light source & driver

- 1 Loosen the socket screws from the fixture to remove it from the mounting base.
- 2 Disconnect the wires and remove the driver(s).
- 3 Pull out the snout(s) using any available tools and remove the lens(es).
- 4 Unscrew the screws and remove the tube housing(s).
- 5 Unscrew the screws, disconnect the wires and remove the light source(s).



The driver is replaceable by an authorized professional.  
For advice contact your Wever & Ducre customer service contact point.



The light source is replaceable by an authorized professional.  
For advice contact your Wever & Ducre customer service contact point.



This luminaire contains a light source with the energy class E.