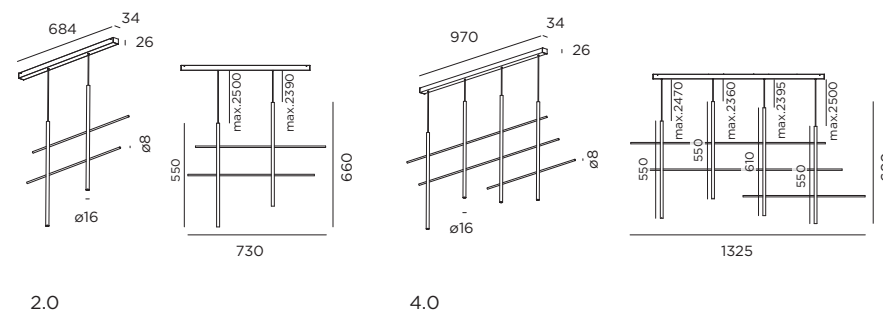
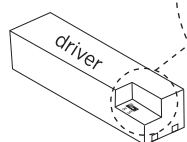


DIMENSIONS

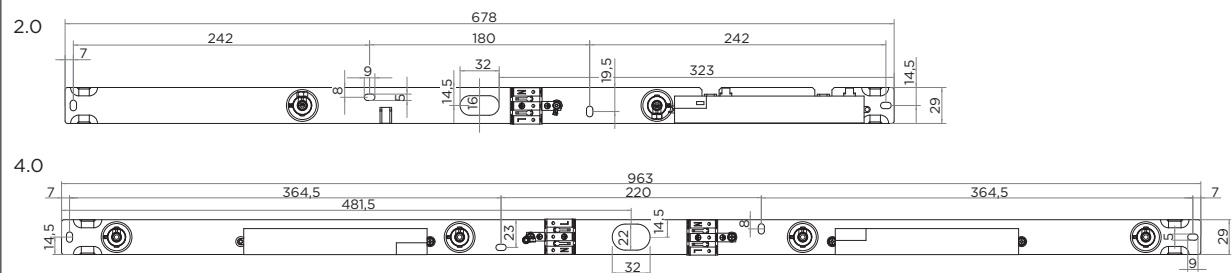


! Do not change the standard settings of the driver!

The standard setting of the driver:



Mounting base:

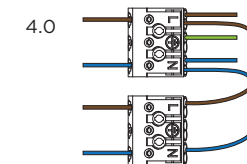
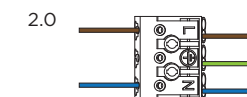


MOUNTING INSTRUCTION

1 Remove the mounting base by loosening the socket screws and fix it to the ceiling with screws (screws are not included).

2 POWER CONNECTION

Connect to 220-240V.



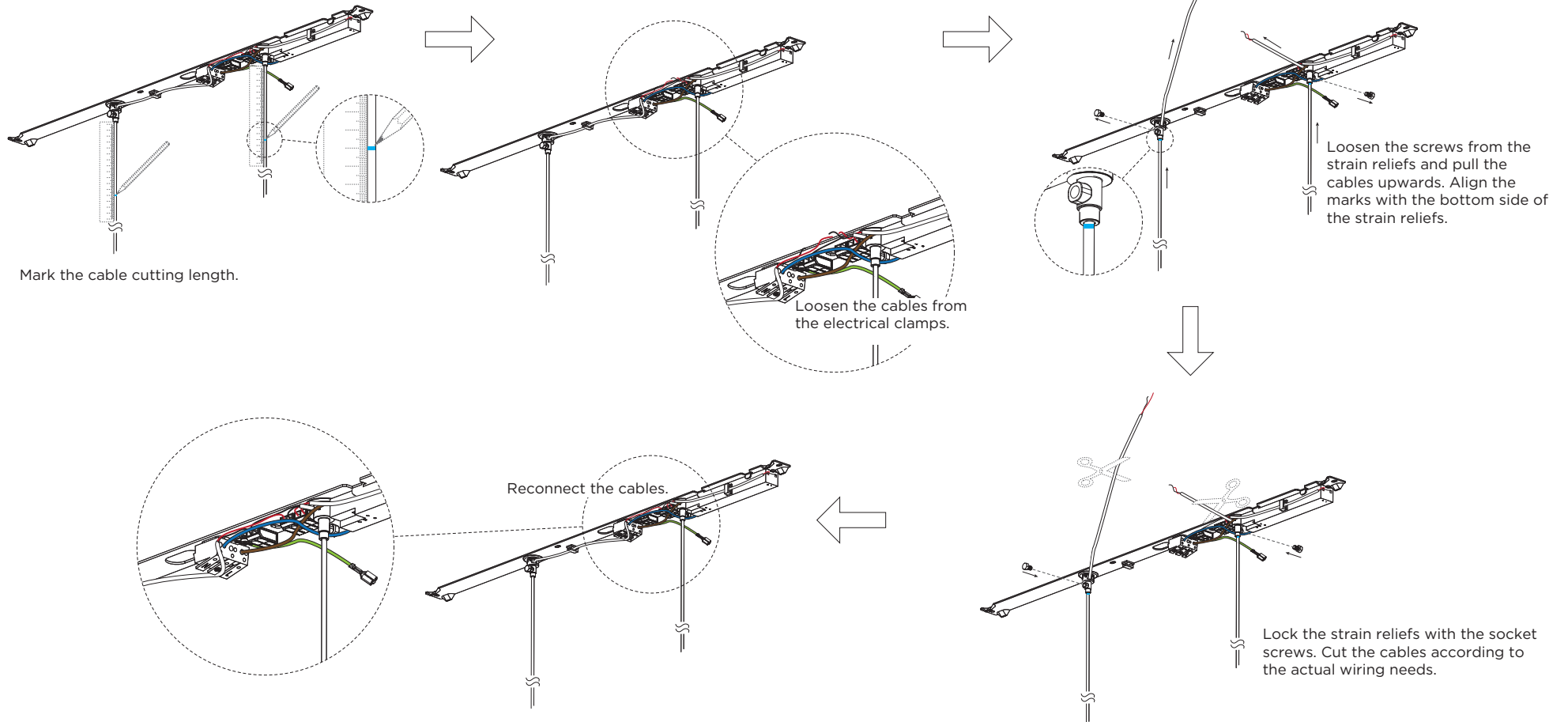
Connect the earth cable.

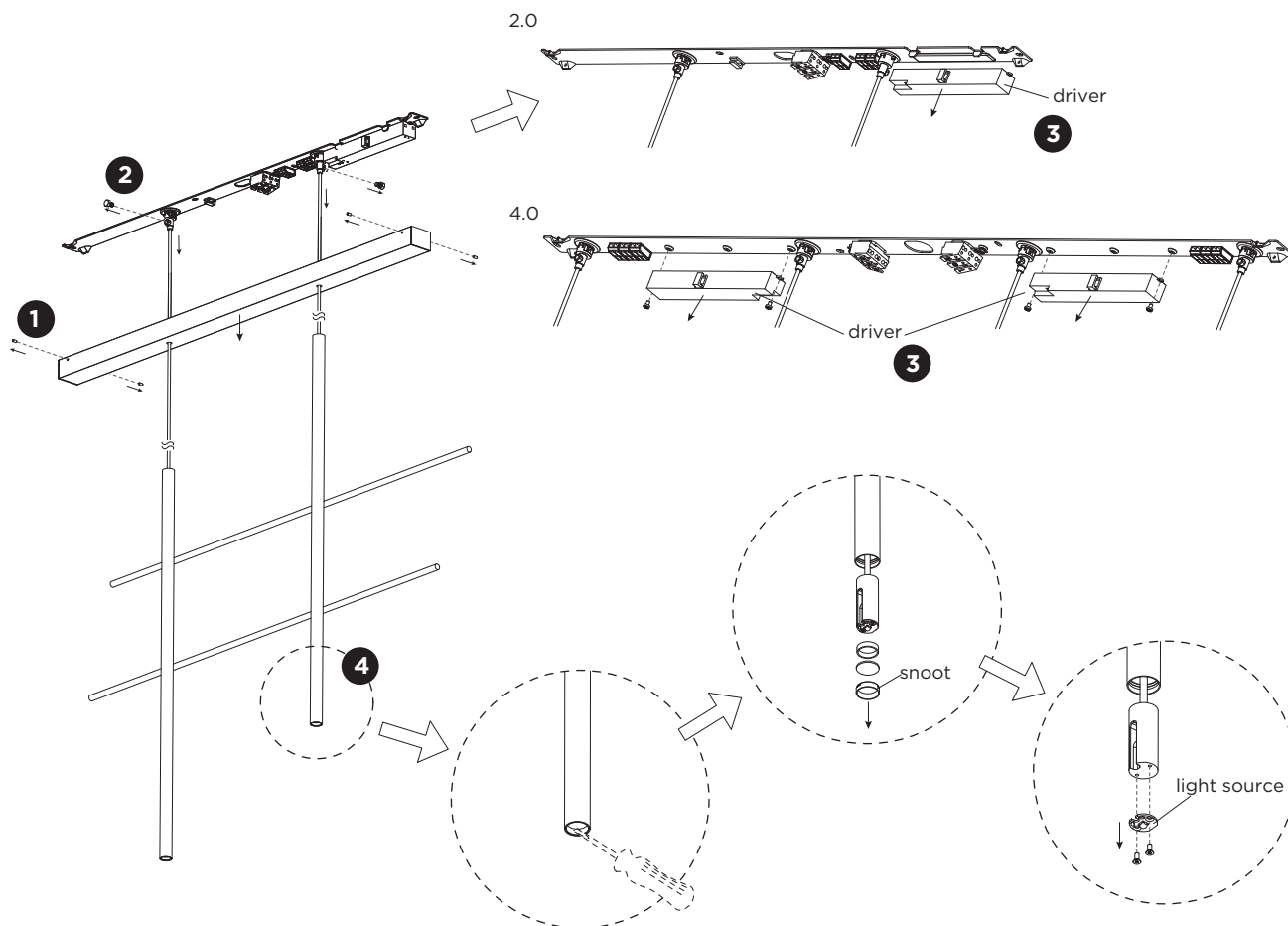


3 Fix the cover to the mounting base with the socket screws.

4 For how to reduce the cable length, please see page 2.

4 How to reduce the cable length.

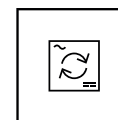




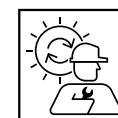
DISMOUNTING AND RECYCLING INSTRUCTIONS

Light source & driver

- 1 Dismount the cover of the ceiling base by loosening the socket screws.
- 2 Loosen the wires, release the socket screws that are locking the cables and separate the cables together with the cover and the lamp tubes combination from the mounting base.
- 3 for 2.0 - Pull the driver off .
for 4.0 - Loosen the screws to remove the driver(s).
- 4 Remove the snoot(s) with a flathead screwdriver, remove the lens(es) and ring(s), loosen the screws to remove the light source(s).



The driver can be replaced by the end user.



The light source is replaceable by an authorized professional.
For advice contact your Wever & Ducré customer service contact point.



This luminaire contains a light source with the energy class G.