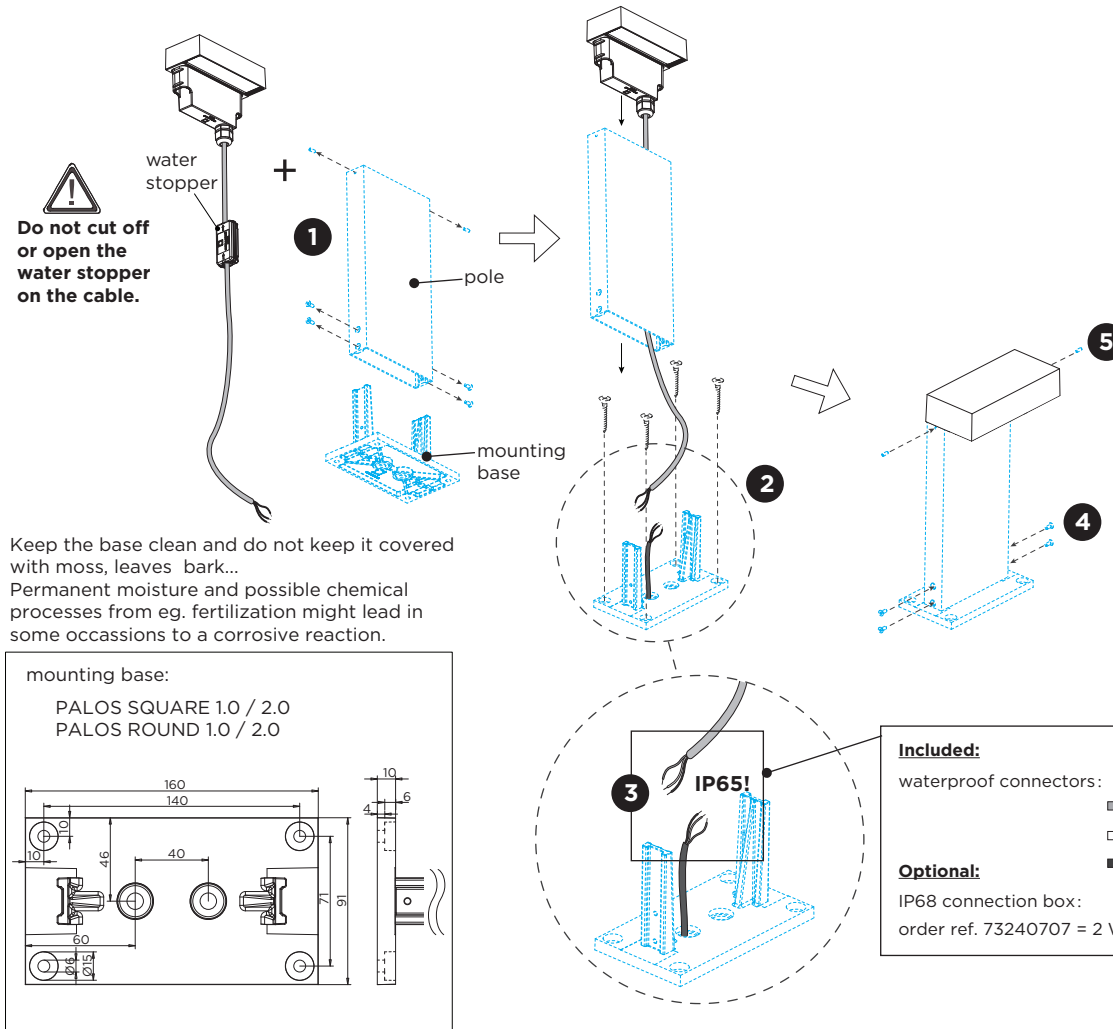


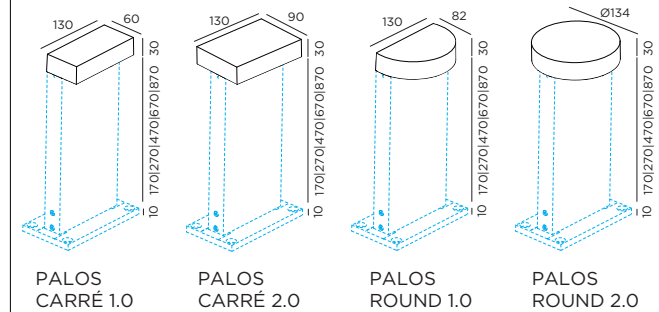
# PALOS

INSTALLATION INSTRUCTIONS | APRIL 2021

installation with fixation plate



## DIMENSIONS



## MOUNTING INSTRUCTION

- 1 Remove the mounting base from the pole by loosening the screws.
- 2 Mount the base on the floor with screws. (screws are not included.)
- 3 **POWER CONNECTION**  
Connect to 220-240V. Connect the wires with the waterproof connections. Please see the detail method in the separate instruction sheet of waterproof connection.
- 4 Fix the pole on the mounting base with the included screws.
- 5 Fix the luminaire on the pole with the included socket screws.

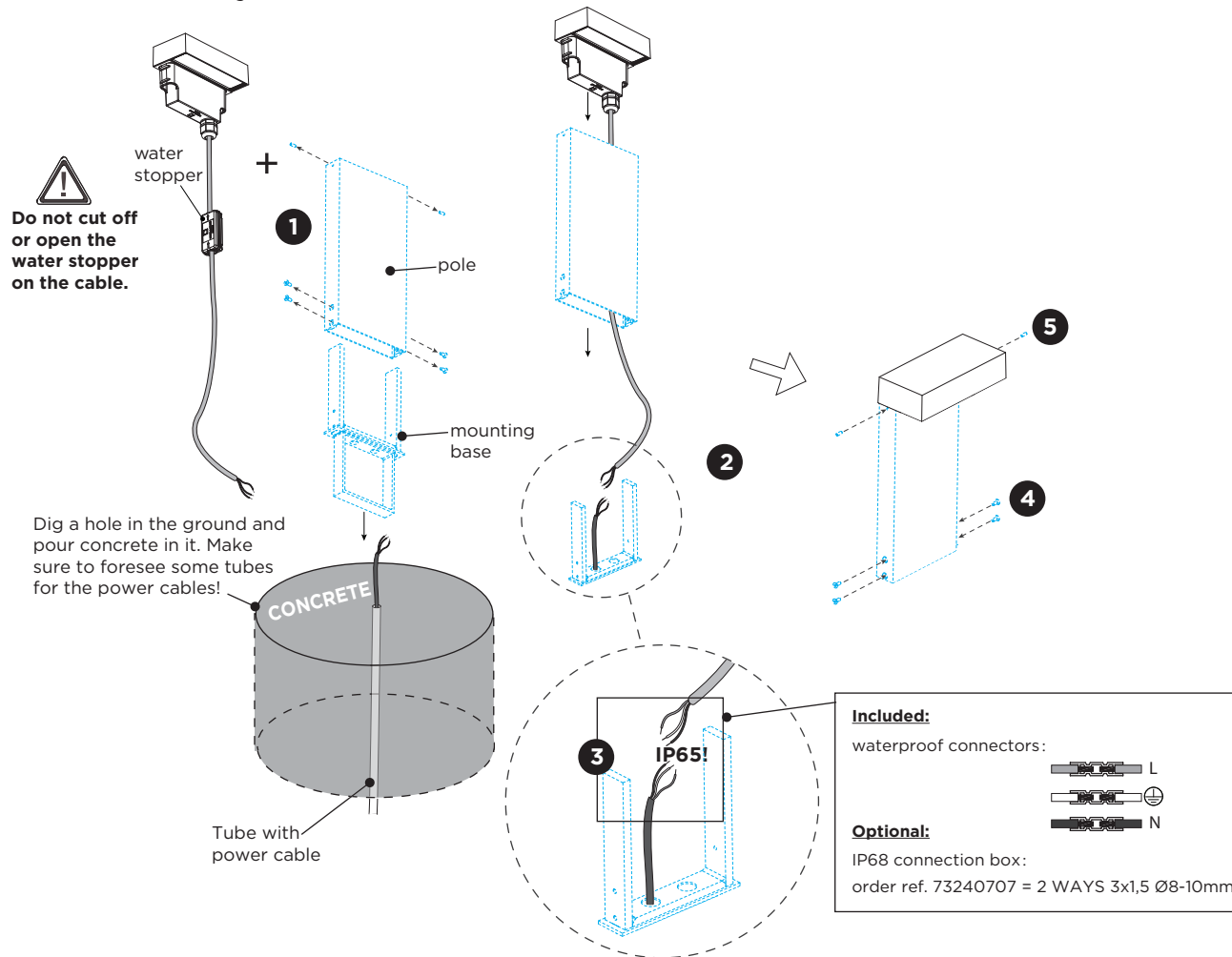
For installation with concrete ground fixation, please see the page 2.

PB19-010-74+00\_v0

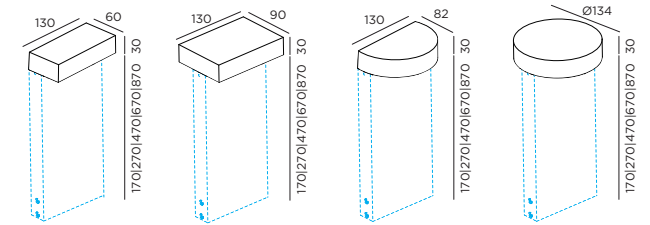
# PALOS

INSTALLATION INSTRUCTIONS | APRIL 2021

installation with concrete ground fixation



## DIMENSIONS



PALOS  
CARRÉ 1.0

PALOS  
CARRÉ 2.0

PALOS  
ROUND 1.0

PALOS  
ROUND 2.0

## MOUNTING INSTRUCTION

- 1 Remove the mounting base from the pole by loosening the screws.
- 2 Mount the base in the floor with concrete.
- 3 **POWER CONNECTION**  
Connect to 220-240V. Connect the wires with the waterproof connections. Please see the detail method in the separate instruction sheet of waterproof connection.
- 4 Fix the pole on the mounting base with the included screws.
- 5 Fix the luminaire on the pole with the included socket screws.