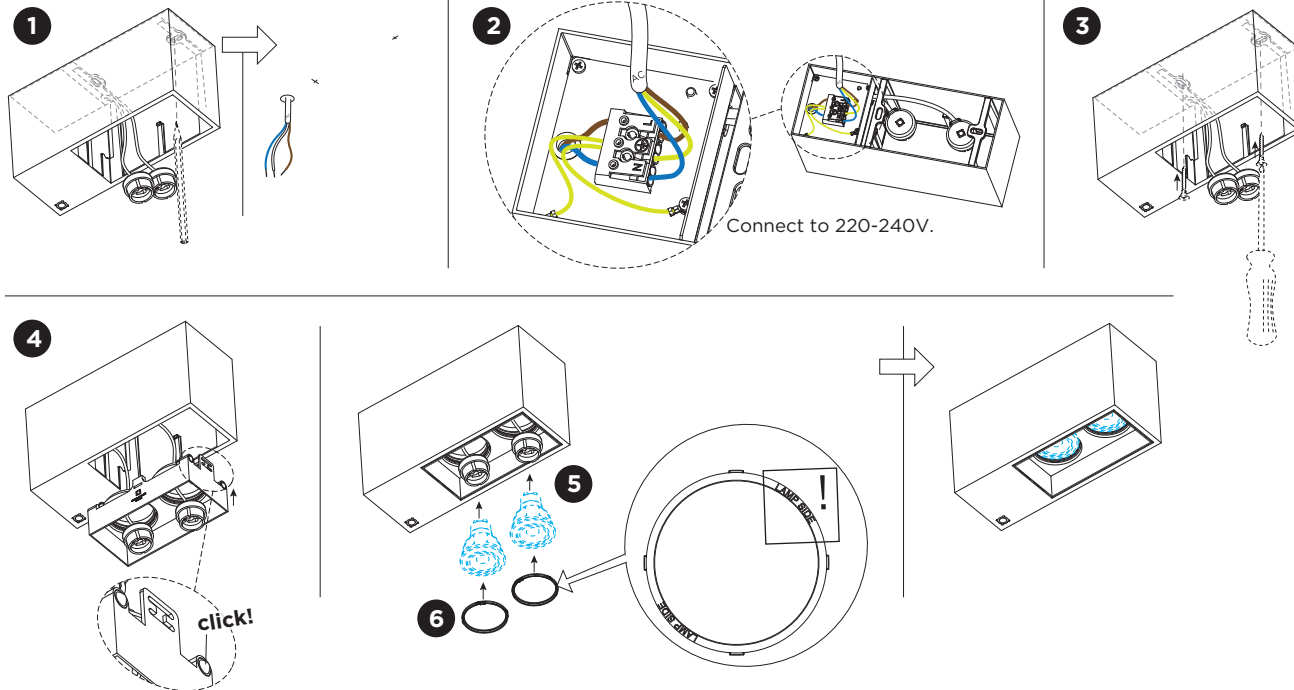


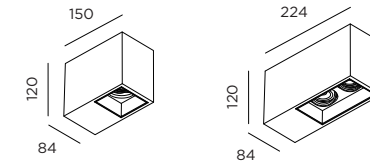
# PLANO ceiling surface

INSTALLATION INSTRUCTIONS | DECEMBER 2022

installation for 1.0 / 2.0



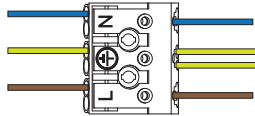
## DIMENSIONS



1.0 PAR16

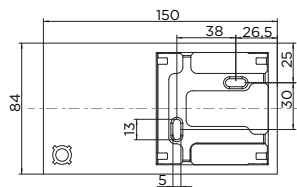
2.0 PAR16

## MOUNTING INSTRUCTION

- 1** Mark the position of the screw holes and prepare the ceiling for fixation.
  - 2** POWER CONNECTION  
Connect to 220-240V.
- 
- 3** Mount the mounting base on the ceiling with screws (screws are not included).
  - 4** Push the housing into the mounting base.
  - 5** Put the bulb(s) into the socket(s).
  - 6** Fix the bulb(s) with the spring clip(s).

Mounting base:

1.0



2.0

