

ROCK LIGHT COLLECTION

FLOOR 6.0 | 7.0 TABLE 8.0 NAKED 1.0

24-May-2017

FLOOR 6.0

E26-E27 max. 100W | 110-220VAC | 50-60Hz | incl. dimmer | stone veneer | MDF lacquered

CE \oplus IP20 $\text{\textcircled{960}^\circ\text{C}}$ $\text{\textcircled{0,9m}}$

	Autumn white	2221E8W0
	Silver shine	2221E8S0
	Multicolour	2221E8D0

FLOOR 7.0

E26-E27 max. 100W | 110-220VAC | 50-60Hz | incl. dimmer | stone veneer | MDF lacquered

CE \oplus IP20 $\text{\textcircled{960}^\circ\text{C}}$ $\text{\textcircled{0,9m}}$

	Autumn white	2222E8W0
	Silver shine	2222E8S0
	Multicolour	2222E8D0

TABLE 8.0

E26-E27 max. 100W | 110-220VAC | 50-60Hz | incl. dimmer | stone veneer | MDF lacquered

CE \oplus IP20 $\text{\textcircled{960}^\circ\text{C}}$ $\text{\textcircled{0,9m}}$

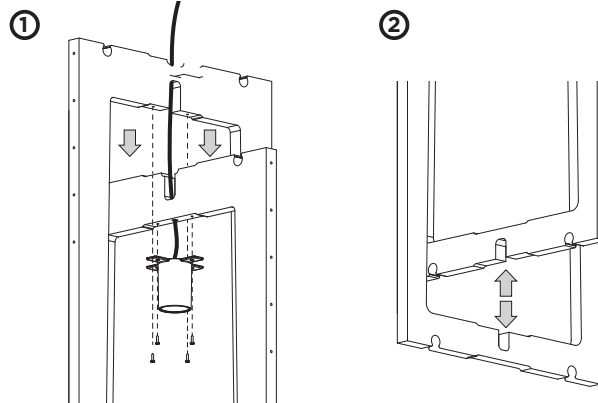
	Autumn white	2241E8W0
	Silver shine	2241E8S0
	Multicolour	2241E8D0

NAKED 1.0

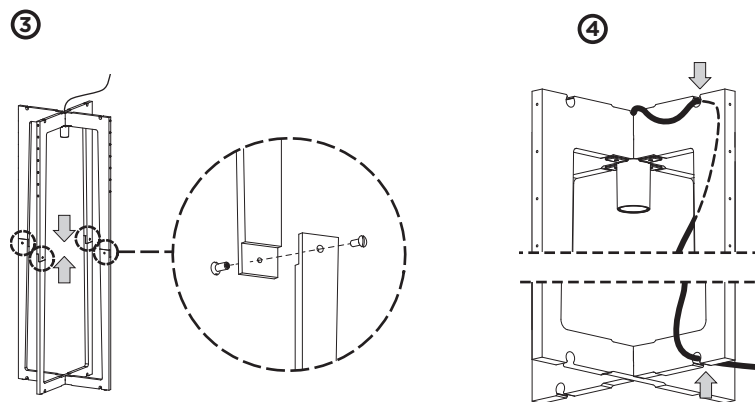
E26-E27 max. 100W | 110-220VAC | 50-60Hz | incl. dimmer | MDF lacquered

CE \oplus IP20 $\text{\textcircled{960}^\circ\text{C}}$ $\text{\textcircled{0,9m}}$

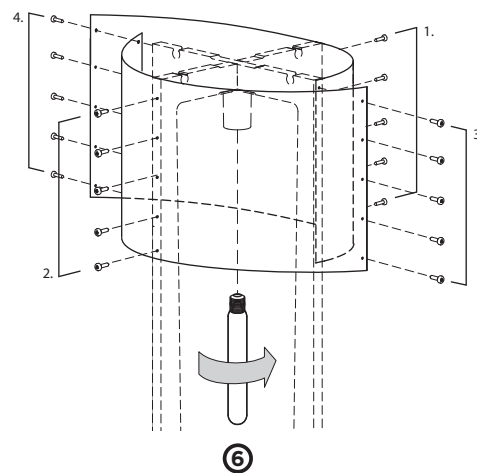
	Simple black	2223E800
--	--------------	----------



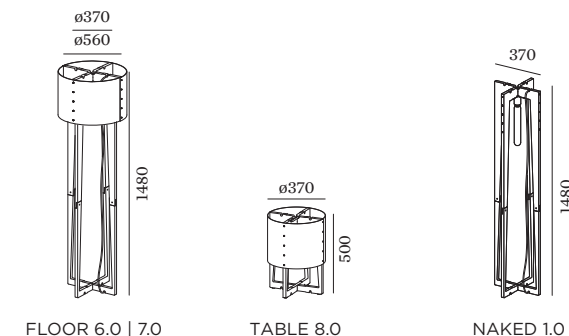
! In order to protect the wooden frame, please use the manual screwdriver to tighten the screws. Don't use an electric screwdriver.



5 optional



DIMENSIONS



MOUNTING SITUATION

- 1** Reunite the two upper wooden parts and screw down the lamp socket
- 2** Interlock the two lower wooden parts
- 3** Screw the upper and the lower parts together
- 4** Put the cable into the provided recess on the top and the bottom
- 5** Screw down the stone veneers in the right order. If you mount a ROCK LIGHT NAKED, screw the delivered screws into the provided holes
- 6** Put the light bulb into the lamp socket and connect the luminaire to the power supply



WEVER & DUCRÉ
LIGHTING

www.weverducre.com

INSTALLATION
INSTRUCTIONS