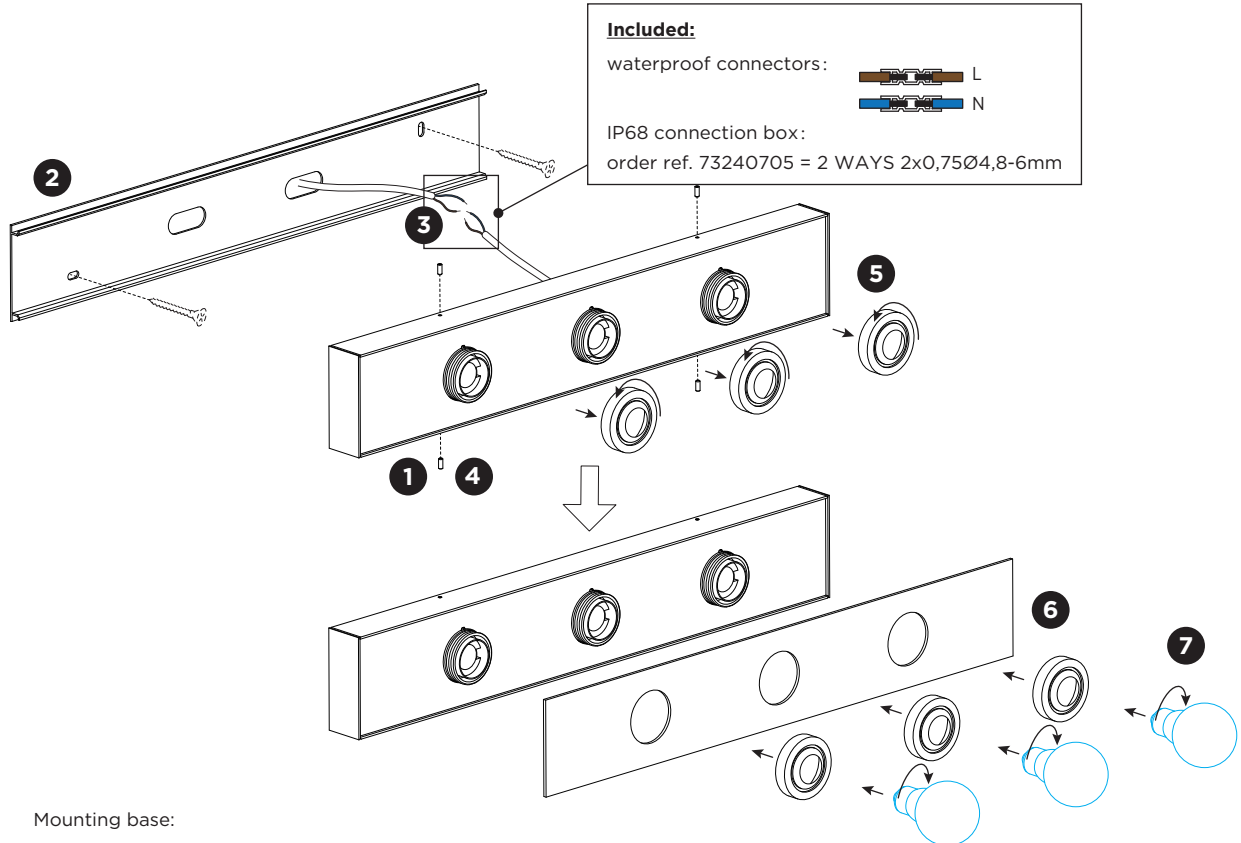


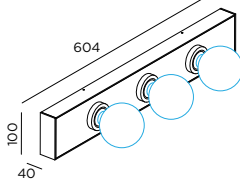
RUVI WALL 3.0

INSTALLATION INSTRUCTIONS | OCTOBER 2023



Included:
 waterproof connectors: L
 N
 IP68 connection box:
 order ref. 73240705 = 2 WAYS 2x0,75Ø4,8-6mm

DIMENSIONS



MOUNTING INSTRUCTION

- 1** Remove the mounting base by loosening the socket screws.
- 2** Mount the base on the wall with screws (screws are not included).
- 3 POWER CONNECTION**
 Connect to 220-240V. Connect the wires with the waterproof connectors. Please see the detailed method in the separate instruction sheet of the waterproof connection.
- 4** Fix the luminaire on the base with the socket screws.
- 5** Unscrew the ring holders.
- 6** Add the mirror plate and screw on the ring holders.
- 7** Install the lamps (lamps are not included).

