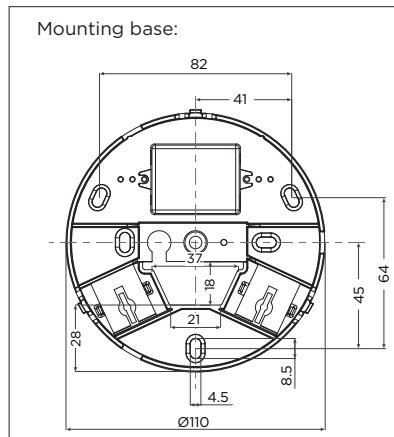
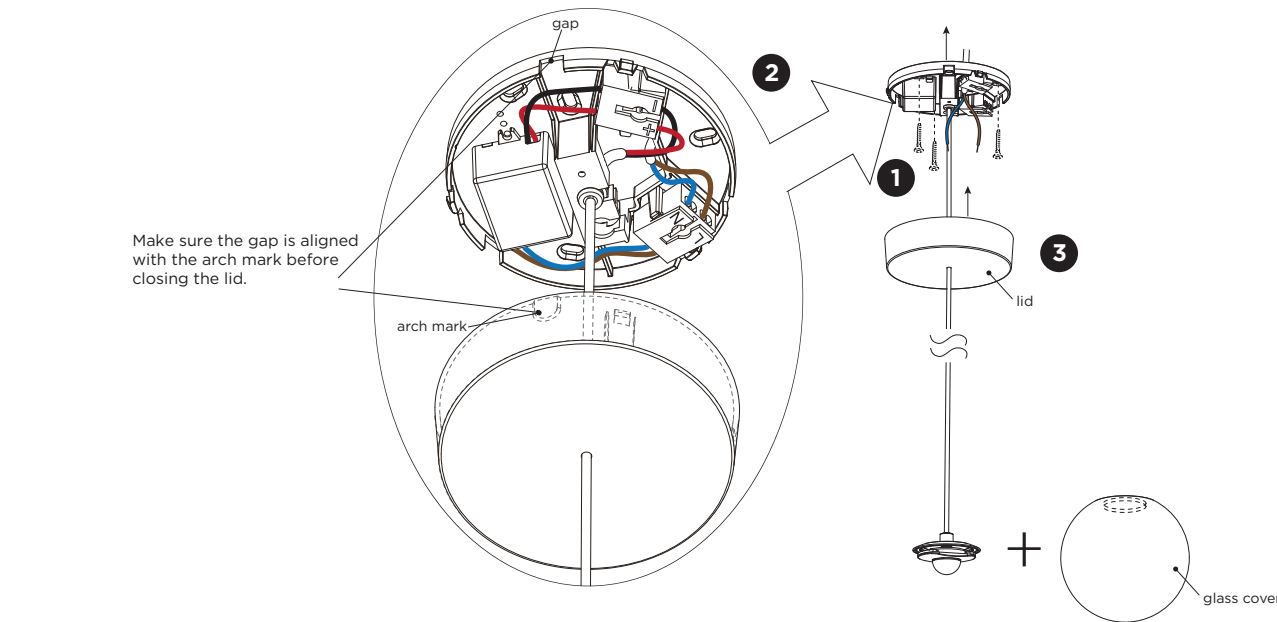
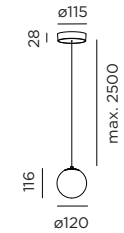


SOLLI SINGLE SUSPENDED

INSTALLATION INSTRUCTIONS | APRIL 2022



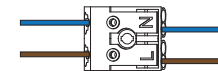
DIMENSIONS



MOUNTING INSTRUCTION

1 Remove the lid from the mounting base and mount the base on the ceiling with screws (screws are not included).

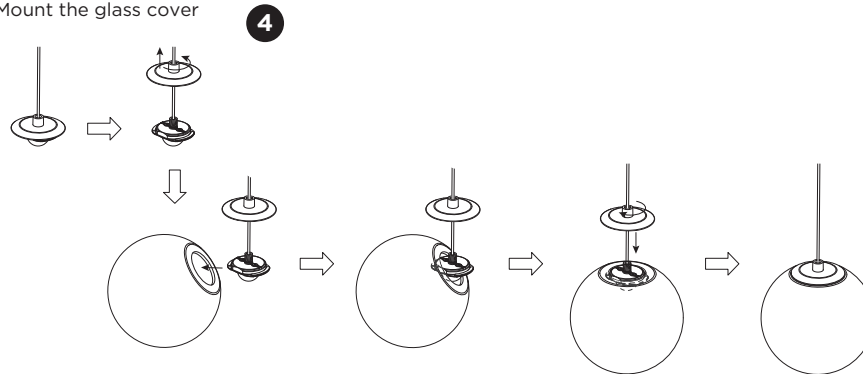
2 **POWER CONNECTION**
Connect to 220-240V.



3 Push the lid on the mounting base until it clicks.

4 Mount the glass cover to the luminaire.

Mount the glass cover



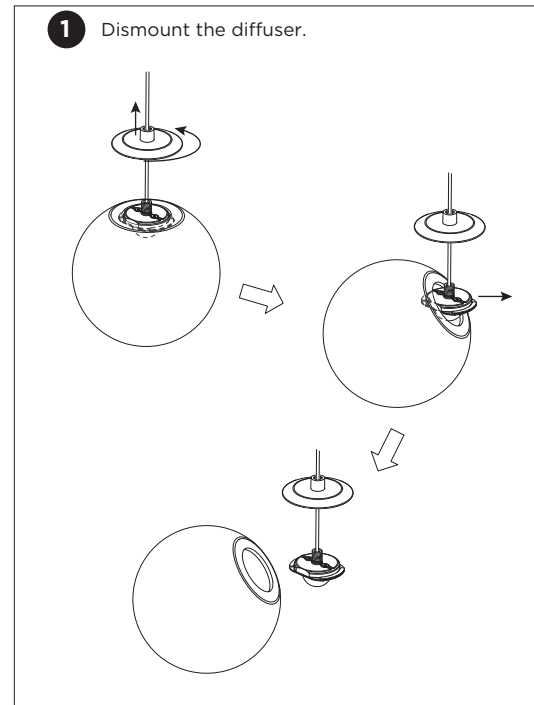
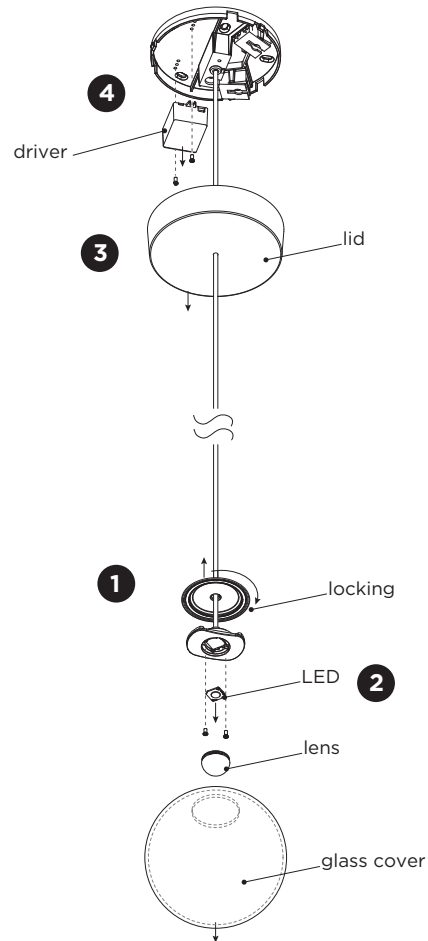
WEVER & DUCRÉ
LIGHTING

WEVER & DUCRÉ BV
Spinnerijstraat 99/21, 8500 Kortrijk, Belgium
weverducre.com

PB19-010-783-00 VO

SOLLI SINGLE SUSPENDED

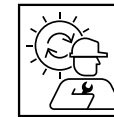
INSTALLATION INSTRUCTIONS | APRIL 2022



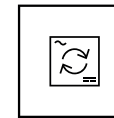
DISMOUNTING INSTRUCTION light source and driver

- 1 Unscrew the locking and then remove the glass cover and lens.
- 2 Unscrew the 2 screws and take out the LED.

To replace the light source please contact your Wever & Ducre customer service contact point.



- 3 Remove the lid of the mounting base by pulling.
- 4 Unscrew the 2 screws, loosen the wires and take out the driver.



This luminaire contains a light source with the energy class E.