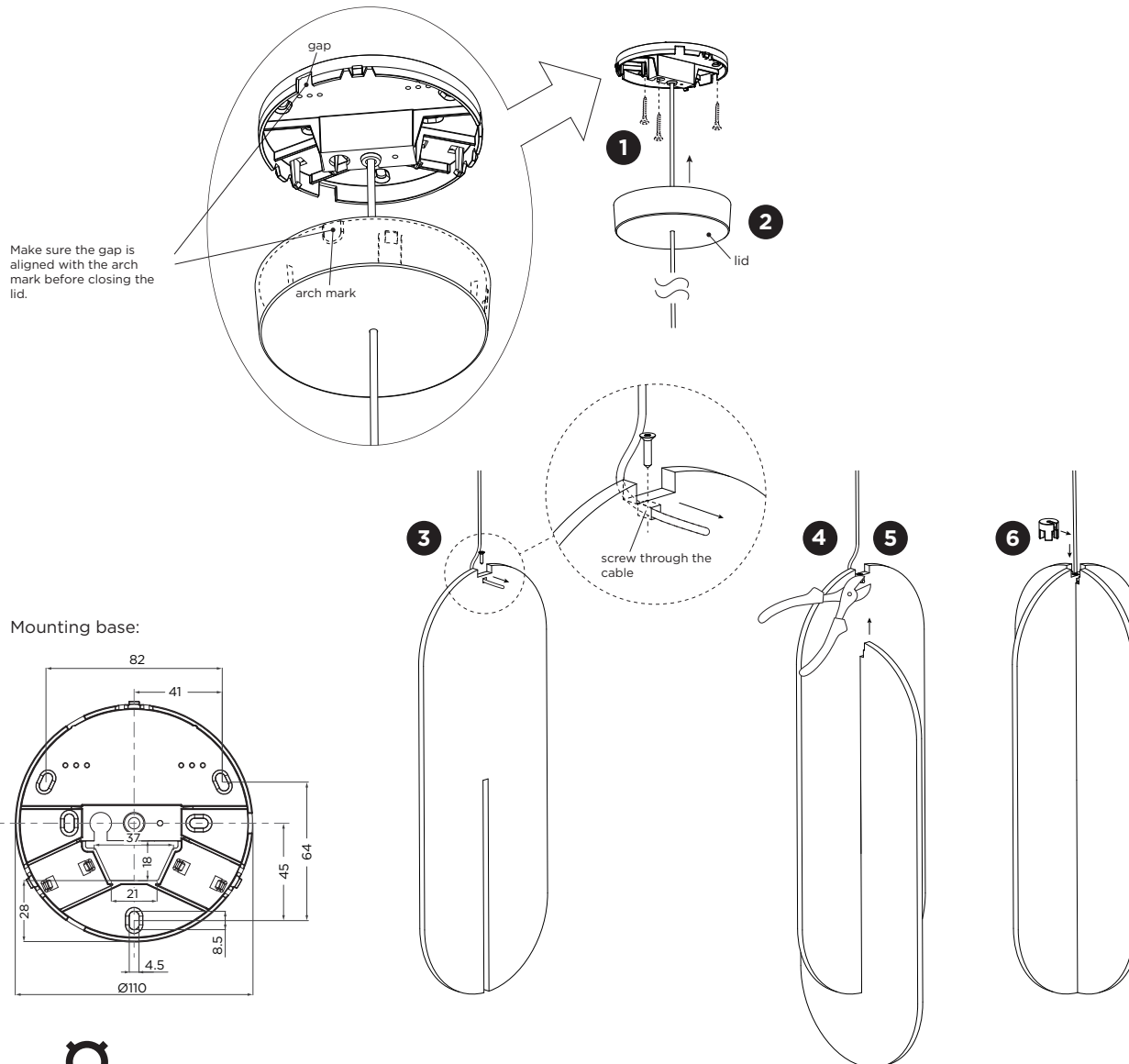


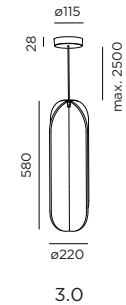
# SOLLI COCOON 3.0

INSTALLATION INSTRUCTIONS | MAY 2023



Mounting base:

## DIMENSIONS



## MOUNTING INSTRUCTION

- 1 Remove the lid from the mounting base and mount the base on the ceiling with screws (screws are not included).
- 2 Push the lid on the mounting base until it clicks.
- 3 Insert the cable through the hole in the felt element and screw through the felt and cable.
- 4 Cut the cable.
- 5 Take the second felt element and slide it on the other felt.
- 6 Place the top connector onto the cable and felt elements.