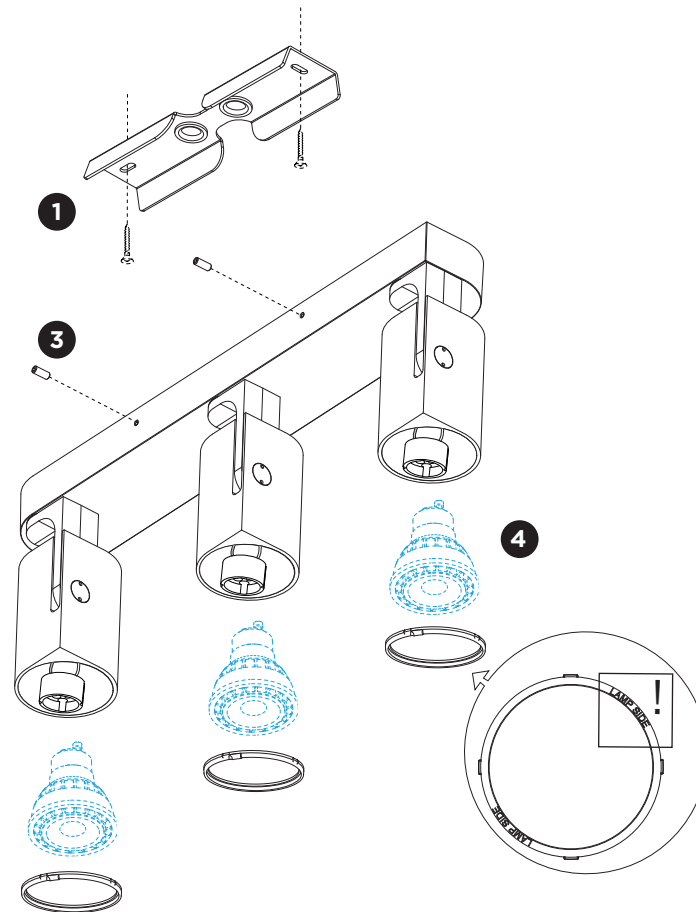
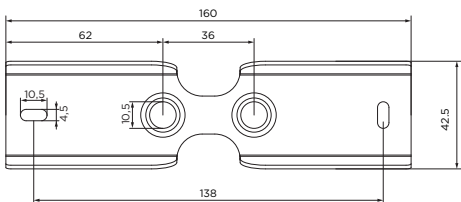


# SQUBE on base 3.0

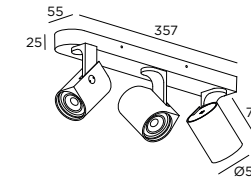
INSTALLATION INSTRUCTIONS | SEPTEMBER 2023



base plate dimensions



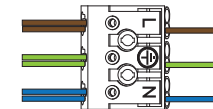
## DIMENSIONS



## MOUNTING INSTRUCTION

- 1 Remove the socket screws, put the cables through the opening and mount the base on the ceiling with screws (screws are not included).

- 2 **POWER CONNECTION**  
Connect to 220-240V.



- 3 Mount the fixture with the socket screws on the base.
- 4 Mount the lamps.