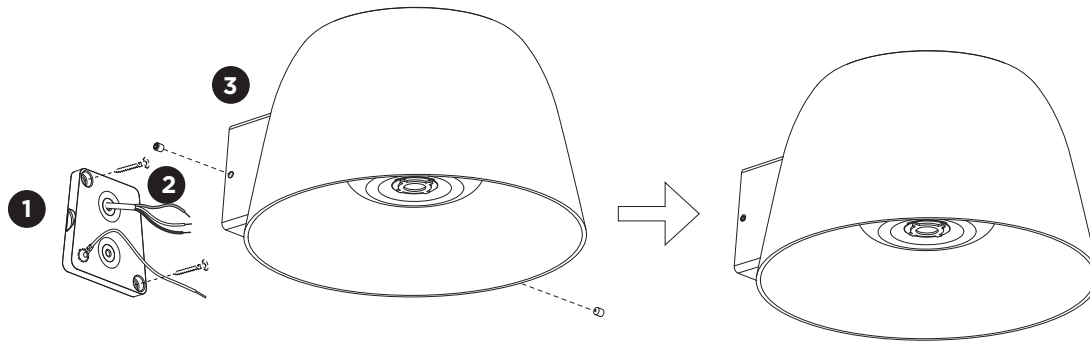
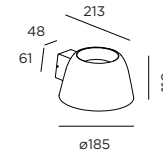


# SWAM

INSTALLATION INSTRUCTIONS | APRIL 2021

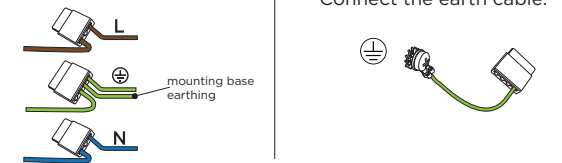


## DIMENSIONS

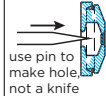

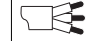
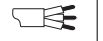




**1** Remove the mounting base from the luminaire by loosening the socket screws and mount it on the wall with screws (screws are not included).

**2** POWER CONNECTION  
Connect to 220-240V.

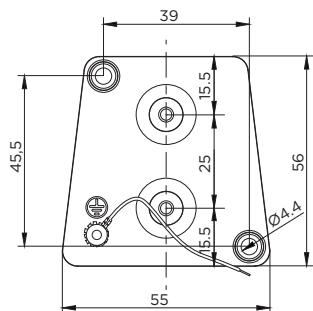


Please use a matching grommet based on the used 220-240V cable and the corresponding type in the overview table.

 use pin to make hole, not a knife	A	B	C	D
				
CABLE	ROUND H05RN-F H07RN8-F H07RN-F	ROUND H05RN-F	ROUND	ROUND
TYPE	min 6.8mm max 8.9mm	min 5mm max 6.8mm	min 1.5mm max 2.6mm	min 1.5mm max 2.6mm
OUTSIDE Ø	2or3x 0.75mm <sup>2</sup> 2or3x 1.0mm <sup>2</sup> 2or3x 1.5mm <sup>2</sup>	2or3x 0.75mm <sup>2</sup> 2x 1.0mm <sup>2</sup>	0.75mm <sup>2</sup> 1.5mm <sup>2</sup>	0.75mm <sup>2</sup> 1.5mm <sup>2</sup>
CONDUCTION SECTION				

**3** Fixate the luminaire on the base with the socket screws.

Mounting base:



**WEVER & DUCRÉ**  
LIGHTING

**WEVER & DUCRÉ BVBA**  
Spinnerijstraat 99/21, 8500 Kortrijk, Belgium  
weverducre.com