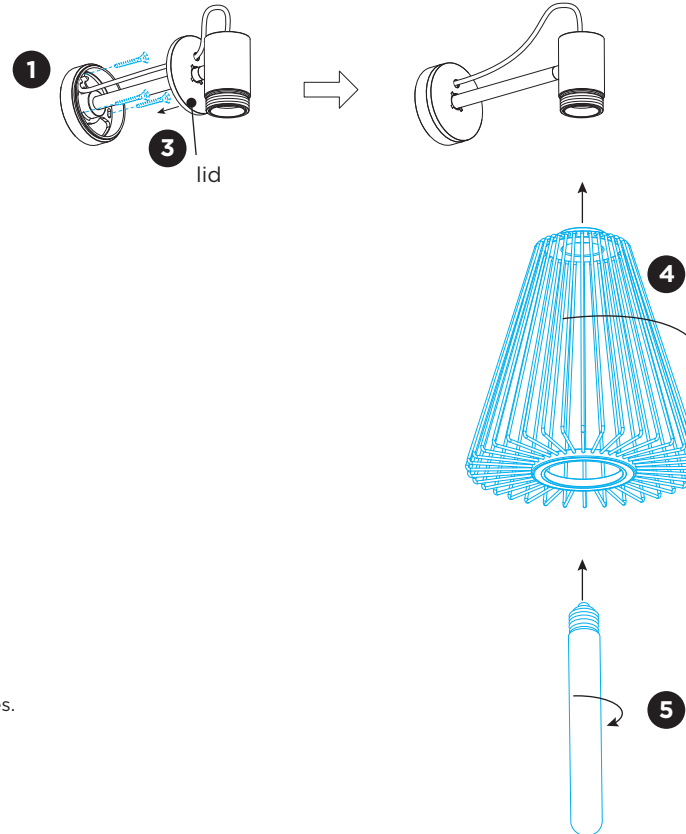
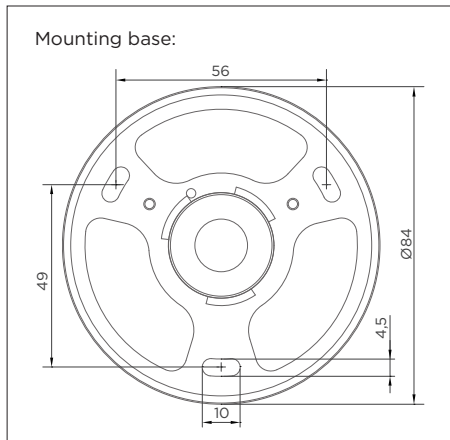
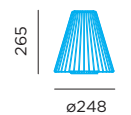


# WIRO WALL MOUNTING 1.0

INSTALLATION INSTRUCTIONS | APRIL 2023



This suspension set can be applied to several Wiro shades.  
Such as:

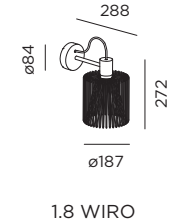


Shade of  
1.0 CONE



Shade of  
1.8 WIRO

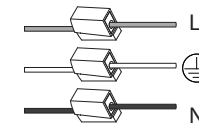
## DIMENSIONS



## MOUNTING INSTRUCTION

**1** Open the cover by turning counter clockwise, and mount the base on the wall with screws (screws are not included).

**2** **POWER CONNECTION**  
Connect to 220-240V.



**3** Close the cover by pushing.

**4** Mount the shade on the fixture by turning clockwise.

**5** Mount the bulb.