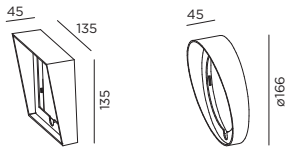


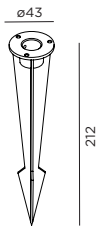
X-BEAM

INSTALLATION INSTRUCTIONS | JANUARY 2024

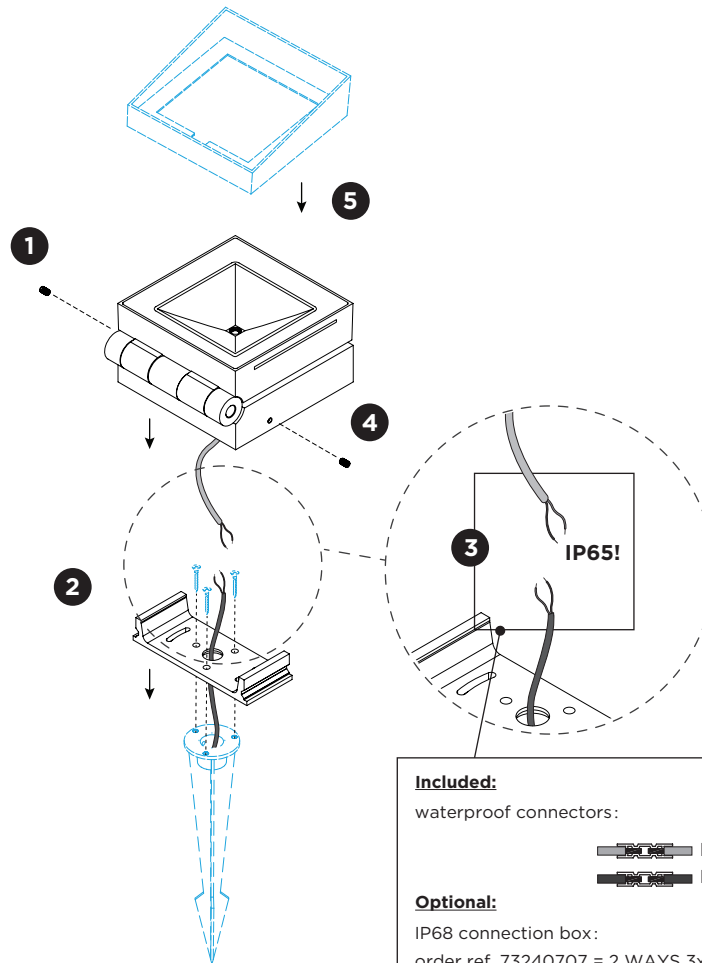
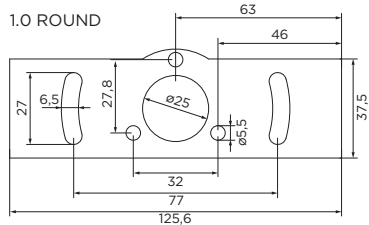
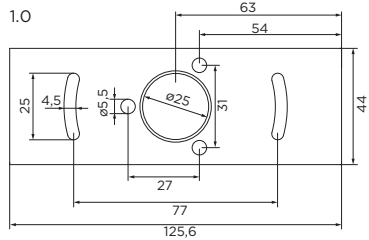
snout dimensions - optional



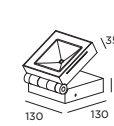
groundspike dimensions - optional



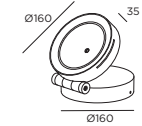
base plate dimensions



DIMENSIONS



1.0



1.0 ROUND

MOUNTING INSTRUCTION

- 1 Remove the base plate by loosening the side screws.
- 2 Fix the base plate to the ground or wall with screws (screws are not included).

OPTIONAL

Fix the base plate to the groundspike with screws (screws are included).

3 POWER CONNECTION

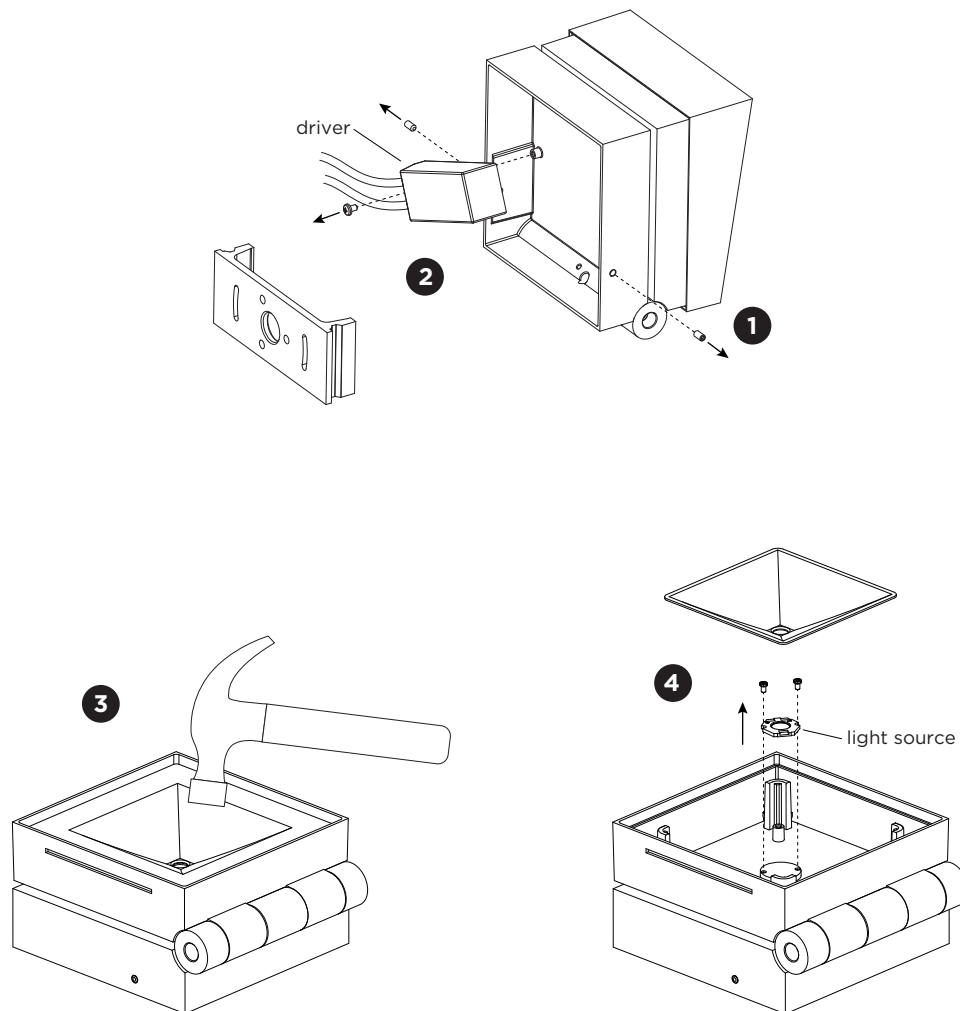
Connect the wires with the waterproof connectors. Connect to 220-240V.

Please see the detail method in the separate instruction sheet.

- 4 Fix the fixture to the base plate with the side screws.
- 5 OPTIONAL
Click the snout on the X-BEAM.

X-BEAM

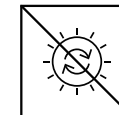
INSTALLATION INSTRUCTIONS | JANUARY 2024



DISMANTLING AND RECYCLING INSTRUCTIONS

Light source & driver

- 1** Loosen the side screws and remove the luminaire housing from the mounting base.
- 2** Loosen the screw and cut the wires to remove the driver.
- 3** Break the glass.
- 4** Take out the reflector and unscrew the light source.



The light source is not replaceable.



The driver can be replaced by the end user.



This luminaire contains a light source with the energy class E.