

CENTRAL

17-Jan.-2018

1.0

LED 6W | 220-240VAC | 50-60Hz | COB 3-step | incl. PS | phase-cut dim

CE IP20 0.3m

3000K | >90CRI | 480lm

white texture
aluminium brushed

313574W5
313574L5

2.0

LED 2xLED 4W | 220-240VAC | 50-60Hz | COB 3-step | incl. PS | phase-cut dim

CE IP20 0.3m

3000K | >90CRI | 2x290lm

white texture
aluminium brushed

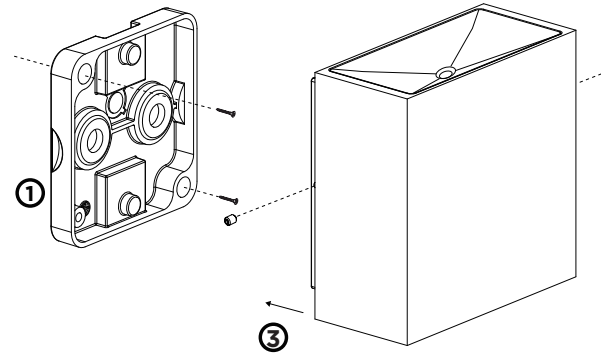
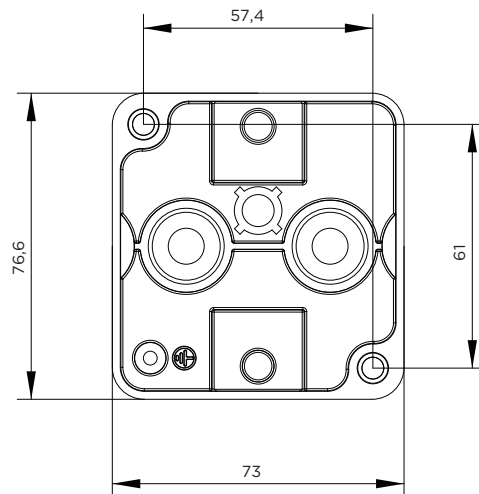
313674W5
313674L5

2xLED 3W | 2700K | >90CRI | 2x290lm

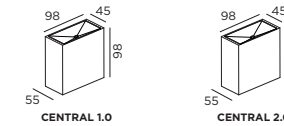
black texture

313674B3

back plate dimensions



DIMENSIONS



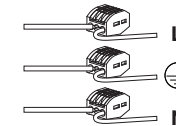
MOUNTING INSTRUCTION

- 1 Remove the back plate and fixate it to the wall with screws

POWER CONNECTION

- 2 Connect the power supply.

Interior: STANDARD version



- 3 Fixate the fixture base to the back plate with the side screws

CENTRAL

17-Jan.-2018

1.0

LED 8W | 220-240VAC | 50-60Hz | COB 3-step | incl. PS | phase-cut dim

CE IP65 0.3m

3000K | >90CRI | 480lm

white texture
dark grey texture
black texture

313774W5

313774D5

313774B5

2.0

LED 2xLED 4W | 220-240VAC | 50-60Hz | COB 3-step | incl. PS | phase-cut dim

CE IP65 0.3m

3000K | >90CRI | 2x290lm

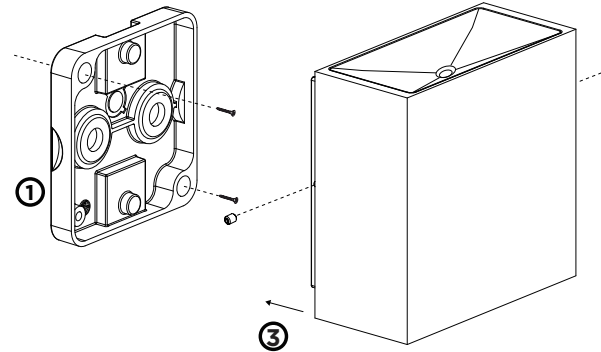
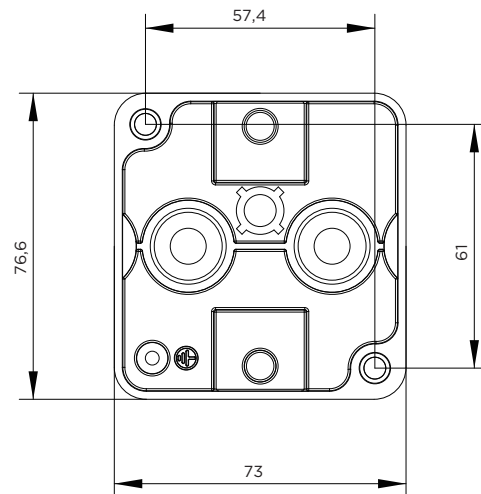
white texture
dark grey texture
black texture

313874W5

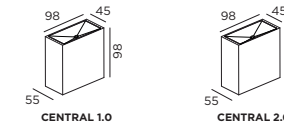
313874D5

313874B5

back plate dimensions



DIMENSIONS



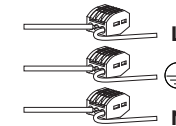
MOUNTING INSTRUCTION

- Remove the back plate and fixate it to the wall with screws

POWER CONNECTION

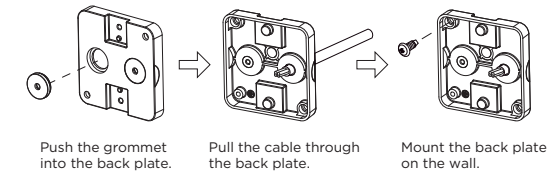
- Connect the power supply.

Interior: STANDARD version



Exterior: WATERPROOF Connection

IP-rated connections for wall fixtures: cable isolation for round cables \varnothing 4.5-7.5 mm, should be in the grommet. For cable use \varnothing 7.0-9.5 mm: replace the grommet with the other grommet in the bag.



- Fixate the fixture base to the back plate with the side screws

	A	B	C
CABLE			
TYPE	ROUND H05RN-F H07RN8-F H07RN-F	ROUND H05RN-F	ROUND
OUTSIDE \varnothing	min 6.8mm max 8.9mm	min 5mm max 6.8mm	min 1.5mm max 2.6mm
CONDUCTION SECTION	2or3x 0.75mm ² 2or3x 1.0mm ² 2or3x 1.5mm ²	2or3x 0.75mm ² 2x 1.0mm ²	0.75mm ² 1.5mm ²



WEVER & DUCRÉ
LIGHTING

www.weverducre.com

Wever & Ducre bvba Kwadestraat 153 bus 2.1 8800 Roeselare

INSTALLATION
INSTRUCTIONS
PAGE 2/2