



WEVER & DUCRÉ
LIGHTING

PLANO 2.0 LED

118261B5

Project

Type

Notes

Quantity

Date

GENERAL

Ceiling

Recessed

Jet Black

IP20

Interior

962^a to 1290^b lm

9005^c

LED

3000 K

CRI 90

L80 / 50000 h

3-step binning

OPTICAL

Flood

Beam angle 36°

PHYSICAL

Length 156 mm

Width 85 mm

Height 90 mm

0.48 kg

Tilt min 35°

Tilt max 35°

Rotation 355°

ELECTRICAL

excl. power supply

18 V

Total connected power 16^a to 23^b W

LED Inset 12^a to 17^b W

56^b to 60^a lm/W

350^a to 500^b mA

PC3

0.3 m

CUTOUT

Length 74 mm

Width 148 mm

Min. ceiling thickness 2 mm

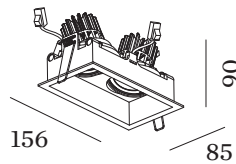
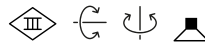
Max. ceiling thickness 18 mm

Recessed depth 95 mm

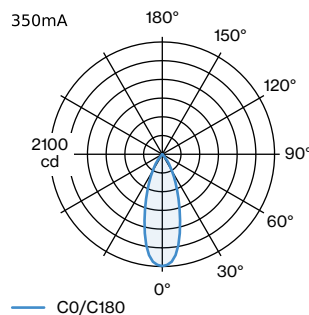
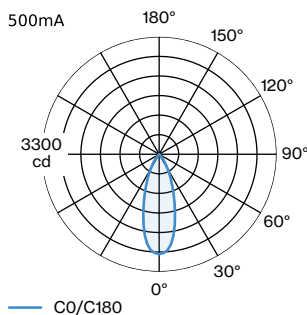
^a 350mA

^b 500mA

^c RAL Palette colors may deviate slightly due to production conditions.



LIGHT DISTRIBUTION





WEVER & DUCRÉ
LIGHTING

PLANO 2.0 LED

118261B5

CONE DIAGRAM

flood 36° 500mA			flood 36° 350mA		
h (m)	E0° (lx)	ø (m)	h (m)	E0° (lx)	ø (m)
1	2800	0.65	1	2090	0.65
2	701	1.29	2	523	1.29
3	312	1.94	3	232	1.94
4	175	2.58	4	131	2.58
5	112	3.23	5	83	3.23

MOUNTING

Plasterkit

TYPE	L · H (MM)	ORDERCODE
PLANO 2.0	180-270	9 0 0 1 7 1 0 5

ELECTRICAL

Power Supply 500mA

TYPE	L · W · H (MM)	VOLTAGE	ORDERCODE
10W 11-20V	101.5-51-29.2	11 - 20V	9 0 2 1 4 4 0 5
15W 13.5-30V phase-cut dim 5-100%	102-51-30	13.5 - 30V	9 0 2 2 4 5 0 1
10W 10-20V 1-10V dim	100-43-22.5	11 - 20V	9 0 2 3 4 4 0 1
20W 5-40V DALI 0-100%	111-52-22	5-40V	9 0 2 4 4 6 0 2

Power Supply 350mA

TYPE	L · W · H (MM)	VOLTAGE	ORDERCODE
10W 14-28V 1-10V dim	101.5-51-29.5	14 - 28V	9 0 2 2 3 4 0 1
10W 12-28V phase-cut dim	102-38-21	12 - 28V	9 0 2 2 3 4 0 2