



WEVER & DUCRÉ
LIGHTING

RON 2.0 LED

111261B5

Project

Type

Notes

Quantity

Date

GENERAL

Ceiling

Recessed

Jet Black

IP20

Interior

1060^a to 1420^b lm

9005^c

LED

3000 K

CRI 90

L80 / 50000 h

3-step binning

OPTICAL

Flood

Beam angle 36°

PHYSICAL

Length 220 mm

Width 110 mm

Height 85 mm

0.73 kg

Standard Springs

Tilt max 35°

Rotation 355°

ELECTRICAL

excl. power supply

18 V

Total connected power 16^a to 23^b W

LED Inset 12^a to 17^b W

62^b to 66^a lm/W

350^a to 500^b mA

PC3

0.3 m

CUTOUT

Length 102 mm

Width 210 mm

Min. ceiling thickness 4 mm

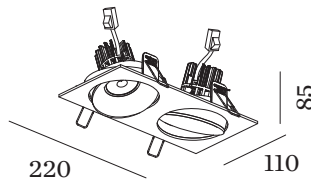
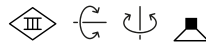
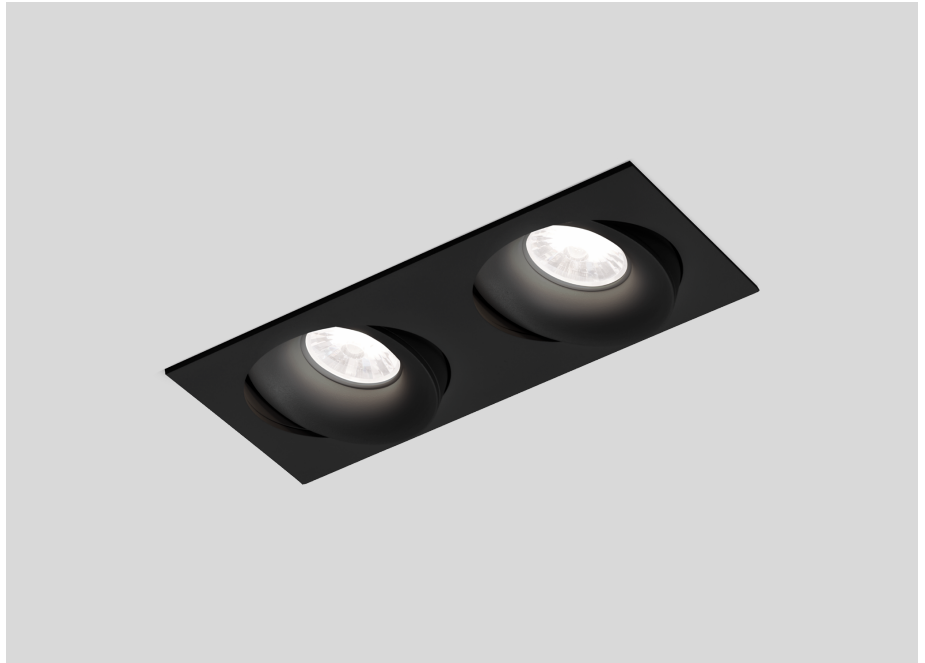
Max. ceiling thickness 25 mm

Recessed depth 90 mm

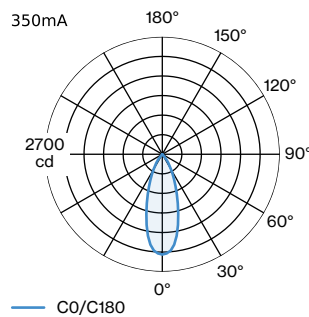
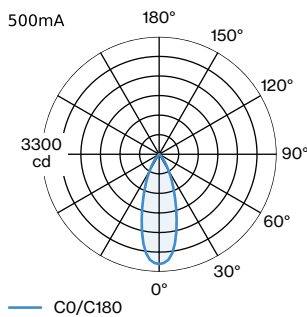
^a 350mA

^b 500mA

^c RAL Palette colors may deviate slightly due to production conditions.



LIGHT DISTRIBUTION





WEVER & DUCRÉ
LIGHTING

RON 2.0 LED

111261B5

CONE DIAGRAM

flood 36° 500mA			flood 36° 350mA		
h (m)	E0° (lx)	ø (m)	h (m)	E0° (lx)	ø (m)
1	3090	0.65	1	2300	0.65
2	772	1.29	2	576	1.29
3	343	1.94	3	256	1.94
4	193	2.58	4	144	2.58
5	123	3.23	5	92	3.23

ELECTRICAL

Power Supply 350mA | 500mA | 700mA

TYPE	L · W · H (MM)	ORDERCODE
20W 350mA 25-50V 500mA 20V-4 700mA 14V-28,5V	101.5-51-29.5	9 0 2 1 8 6 0 1

Power Supply 500mA

TYPE	L · W · H (MM)	VOLTAGE	ORDERCODE
21W 28-42V phase-cut dim 5-100%	101.5-51-29.5	28 - 42V	9 0 2 2 4 7 0 1
21W 16-42V phase-cut dim	110-52-22	16 - 42V	9 0 2 2 4 7 0 2
20W 5-40V DALI 0-100%	111-52-22	5-40V	9 0 2 4 4 6 0 2
25W 20-50V DSI switch dim DALI 1-100%	130-43-31	20 - 50V	9 0 2 5 4 6 0 3
12W IP67 2-26V	81-40-23	2 - 26V	9 0 2 1 4 4 0 2
10W 11-20V	101.5-51-29.2	11 - 20V	9 0 2 1 4 4 0 5
15W 13.5-30V phase-cut dim 5-100%	102-51-30	13.5 - 30V	9 0 2 2 4 5 0 1
10W 11-20V 1-10V dim	100-43-22.5	11 - 20V	9 0 2 3 4 4 0 1
10W 2.5-20V DALI 1-100%	124-31-21	2.5 - 20V	9 0 2 4 4 4 0 1

Power Supply 350mA

TYPE	L · W · H (MM)	VOLTAGE	ORDERCODE
10W 14-28V 1-10V dim	101.5-51-29.5	14 - 28V	9 0 2 2 3 4 0 1
10W 12-28V phase-cut dim	102-38-21	12 - 28V	9 0 2 2 3 4 0 2
15W 21-42V phase-cut dim	101.5-51-29.5	21 - 42V	9 0 2 2 3 5 0 3
10W 2.5-26V DALI dim 5-100%	124-31-21	2.5 - 26V	9 0 2 4 3 4 0 1