



WEVER & DUCRÉ
LIGHTING

STRANGE 1.0 LED

131161B5

GENERAL

Ceiling
Recessed
Jet Black
IP20
Interior
481^a to 647^b lm
9005^c

LED

3000 K
CRI 90
L80 / 50000 h
3-step binning

OPTICAL

Flood
Beam angle 36°

PHYSICAL

Length 70 mm
Width 70 mm
Height 90 mm
0.43 kg
Tilt min 35°
Tilt max 35°
Rotation 355°

ELECTRICAL

excl. power supply
18 V
Total connected power 7.9^a to 12^b W
LED Inset 5.9^a to 8.7^b W
54^b to 61^a lm/W
PC3
0.3 m

CUTOUT

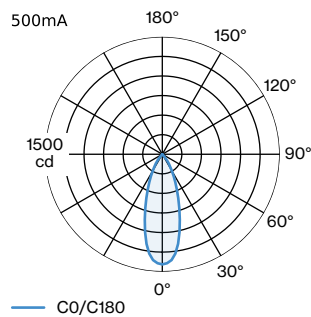
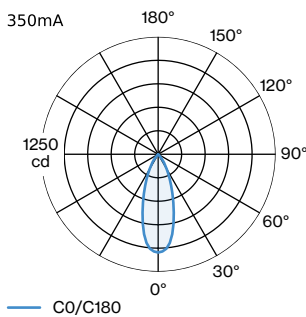
Length 86 mm
Width 86 mm
Min. ceiling thickness 4 mm
Max. ceiling thickness 25 mm
Recessed depth 95 mm

^a 350mA

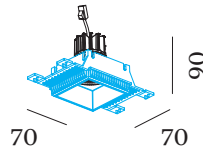
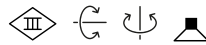
^b 500mA

^c RAL Palette colors may deviate slightly due to production conditions.

LIGHT DISTRIBUTION



Project
Type
Notes
Quantity
Date





WEVER & DUCRÉ
LIGHTING

STRANGE 1.0 LED

131161B5

CONE DIAGRAM

flood 36° 350mA			flood 36° 500mA		
h (m)	E0° (lx)	ø (m)	h (m)	E0° (lx)	ø (m)
1	1050	0.65	1	1410	0.65
2	261	1.29	2	352	1.29
3	116	1.94	3	156	1.94
4	65	2.58	4	87	2.58
5	41	3.23	5	56	3.23

MOUNTING

Plasterkit

TYPE	COLOUR	L · W · H (MM)	ORDERCODE
STRANGE 1.0 SNEAK TRIMLESS 1.0	Plastic Black	83-83-48	9 0 0 1 7 1 1 6
STRANGE 1.0 SNEAK TRIMLESS 1.0	Aluminium	83-83-48	9 0 0 1 7 1 2 0
STRANGE 1.0 SNEAK TRIMLESS 1.0	Plastic White	83-83-48	9 0 0 1 7 1 2 2

ELECTRICAL

Power Supply 500mA

TYPE	L · W · H (MM)	VOLTAGE	ORDERCODE
10W 11-20V	101.5-51-29.2	11 - 20V	9 0 2 1 4 4 0 5
15W 13.5-30V phase-cut dim 5-100%	102-51-30	13.5 - 30V	9 0 2 2 4 5 0 1
10W 10-20V 1-10V dim	100-43-22.5	11 - 20V	9 0 2 3 4 4 0 1
20W 5-40V DALI 0-100%	111-52-22	5-40V	9 0 2 4 4 6 0 2

Power Supply 350mA

TYPE	L · W · H (MM)	VOLTAGE	ORDERCODE
10W 14-28V 1-10V dim	101.5-51-29.5	14 - 28V	9 0 2 2 3 4 0 1
10W 12-28V phase-cut dim	102-38-21	12 - 28V	9 0 2 2 3 4 0 2