



**WEVER & DUCRÉ**  
LIGHTING

# STRANGE 2.0 LED

131261B5

Project .....

Type .....

Notes .....

Quantity .....

Date .....

## GENERAL

Ceiling .....

Recessed .....

Jet Black .....

IP20 .....

Interior .....

962<sup>a</sup> to 1290<sup>b</sup> lm .....

9005<sup>c</sup> .....

## LED

3000 K .....

CRI 90 .....

L80 / 50000 h .....

3-step binning .....

## OPTICAL

Flood .....

Beam angle 36° .....

## PHYSICAL

Length 140 mm .....

Width 70 mm .....

Height 90 mm .....

0.74 kg .....

Tilt min 35° .....

Tilt max 35° .....

Rotation 355° .....

## ELECTRICAL

excl. power supply .....

18 V .....

Total connected power 16<sup>a</sup> to 23<sup>b</sup> W .....

LED Inset 12<sup>a</sup> to 17<sup>b</sup> W .....

56<sup>b</sup> to 60<sup>a</sup> lm/W .....

PC3 .....

0.3 m .....

## CUTOUT

Length 86 mm .....

Width 156 mm .....

Min. ceiling thickness 4 mm .....

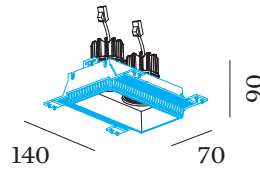
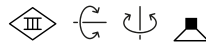
Max. ceiling thickness 25 mm .....

Recessed depth 95 mm .....

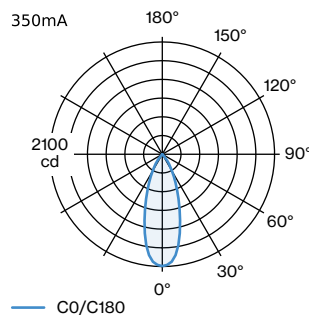
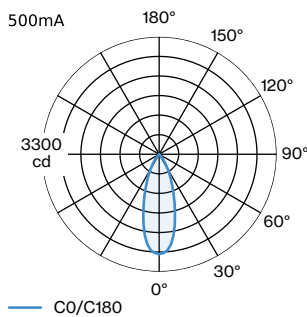
<sup>a</sup> 350mA

<sup>b</sup> 500mA

<sup>c</sup> RAL Palette colors may deviate slightly due to production conditions.



## LIGHT DISTRIBUTION





WEVER & DUCRÉ  
LIGHTING

# STRANGE 2.0 LED

131261B5

## CONE DIAGRAM

flood 36° 500mA			flood 36° 350mA		
h (m)	E0° (lx)	ø (m)	h (m)	E0° (lx)	ø (m)
1	2800	0.65	1	2090	0.65
2	701	1.29	2	523	1.29
3	312	1.94	3	232	1.94
4	175	2.58	4	131	2.58
5	112	3.23	5	83	3.23

## MOUNTING

### Plasterkit

TYPE	COLOUR	L · W · H (MM)	ORDERCODE
STRANGE 2.0   SNEAK TRIMLESS 2.0	Plastic   Black	153-83-48	9 0 0 1 7 1 1 7
STRANGE 2.0   SNEAK TRIMLESS 2.0	Aluminium	153-83-48	9 0 0 1 7 1 2 1
STRANGE 2.0   SNEAK TRIMLESS 2.0	Plastic   White	153-83-48	9 0 0 1 7 1 2 3

## ELECTRICAL

### Power Supply 500mA

TYPE	L · W · H (MM)	VOLTAGE	ORDERCODE
21W   16-42V   phase-cut dim	110-52-22	16 - 42V	9 0 2 2 4 7 0 2
20W   5-40V   DALI 0-100%	111-52-22	5-40V	9 0 2 4 4 6 0 2
12W   IP67   2-26V	81-40-23	2 - 26V	9 0 2 1 4 4 0 2
10W   11-20V	101.5-51-29.2	11 - 20V	9 0 2 1 4 4 0 5
15W   13.5-30V   phase-cut dim 5-100%	102-51-30	13.5 - 30V	9 0 2 2 4 5 0 1
10W   10-20V   1-10V dim	100-43-22.5	11 - 20V	9 0 2 3 4 4 0 1
10W   2.5-20V   DALI 1-100%	124-31-21	2.5 - 20V	9 0 2 4 4 4 0 1

### Power Supply 350mA

TYPE	L · W · H (MM)	VOLTAGE	ORDERCODE
10W   14-28V   1-10V dim	101.5-51-29.5	14 - 28V	9 0 2 2 3 4 0 1
10W   12-28V   phase-cut dim	102-38-21	12 - 28V	9 0 2 2 3 4 0 2
10W   2.5-26V   DALI dim 5-100%	124-31-21	2.5 - 26V	9 0 2 4 3 4 0 1