



**WEVER & DUCRÉ**  
LIGHTING

# STRANGE

## petit 1.0 LED

163161B5

### GENERAL

Ceiling  
Recessed  
Jet Black  
IP20  
Interior  
525 lm  
9005<sup>a</sup>

### LED

3000 K  
CRI 90  
L70 / 50000 h

### OPTICAL

Flood  
Beam angle 34°

### PHYSICAL

Length 51 mm  
Width 51 mm  
Height 60 mm  
0.07 kg  
Tilt min 25°  
Tilt max 25°  
Rotation 355°

### ELECTRICAL

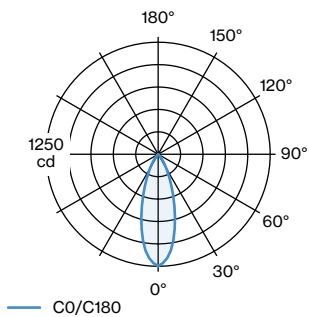
excl. power supply  
18 V  
Total connected power 8.1 W  
LED Inset 6.1 W  
65 lm/W  
PC3  
0.3 m

### CUTOUT

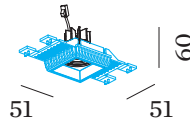
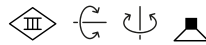
Length 64 mm  
Width 64 mm  
Min. ceiling thickness 7 mm  
Max. ceiling thickness 17 mm  
Recessed depth 65 mm

<sup>a</sup> RAL Palette colors may deviate slightly due to production conditions.

### LIGHT DISTRIBUTION



Project  
Type  
Notes  
Quantity  
Date





WEVER & DUCRÉ  
LIGHTING

# STRANGE

## petit 1.0 LED

163161B5

### CONE DIAGRAM

flood 34° 350mA

h (m)	E0° (lx)	ø (m)
1	1250	0.61
2	312	1.23
3	139	1.84
4	78	2.46
5	49	3.07

### Maintenance Factors

Operating Time [h]	10 000	20 000	30 000	40 000	50 000
LLMF	0.92	0.88	0.83	0.79	0.76
LSF	1	1	1	1	1

MF	LMF × RSMF × LLMF × LSF	RSMF <sup>a</sup>	Room Surface Maintenance Factor
MF	Maintenance Factor	LLMF	Lamp Lumens Maintenance Factor
LMF <sup>a</sup>	Luminaire Maintenance Factor	LSF	Lamp Survival Faktor

<sup>a</sup> According to "CIE 97, Maintenance of indoor electric lighting systems", 2005, ISBN 3-900-734-34-8. The values must be determined by the planner.

### MOUNTING

#### PLASTERKIT PLASTIC

TYPE	COLOUR	L · W · H (MM)	ORDERCODE
STRANGE petit 1.0	Plastic   White	63-62-25	9 0 0 1 7 2 0 0
STRANGE petit 1.0	Plastic   Black	63-62-25	9 0 0 1 7 2 0 1

#### PLASTERKIT ALUMINIUM

TYPE	L · W · H (MM)	ORDERCODE
STRANGE petit 1.0	63-61-30	9 0 0 1 7 2 0 2

### ELECTRICAL

#### Power Supply 350mA

TYPE	L · W · H (MM)	VOLTAGE	ORDERCODE
10W   14-28V   1-10V dim	101.5-51-29.5	14 - 28V	9 0 2 2 3 4 0 1
10W   12-28V   phase-cut dim	102-38-21	12 - 28V	9 0 2 2 3 4 0 2
10W   2.5-26V   DALI dim			
5-100%	124-31-21	2.5 - 26V	9 0 2 4 3 4 0 1
20W   DALI	111-52-22		9 0 2 4 3 6 0 1