



WEVER & DUCRÉ
LIGHTING

WIRO GLOBE 2.0

228200B0

GENERAL

Ceiling

Suspended

Jet Black

IP20

Interior

9005^a

LED

Lamp A60

E27

Socket E27

max. 60 W

PHYSICAL

Diameter 604 mm

Height 444 mm

3.8 kg

ELECTRICAL

220 - 240 V

PC1

0.3 m

^a RAL Palette colors may deviate slightly due to production conditions.

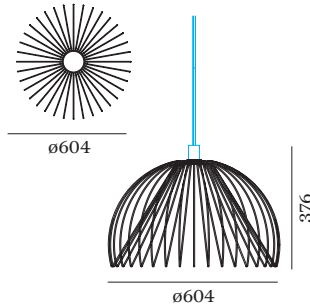
Project

Type

Notes

Quantity

Date





WEVER & DUCRÉ
LIGHTING

WIRO GLOBE 2.0

228200B0

WD BISHOP CORY J.J.W. WIRO GLOBE

DECO LAMPS

T32-180 Lamp

TYPE	Ø · H (MM)	ORDERCODE
2200K E27	ø32-210	9 0 0 3 E 1 0 6

A60 LED Lamp

TYPE	Ø · H (MM)	ORDERCODE
2200K E27	ø60-110	9 0 0 3 E 1 0 9
2700K E27	ø60-110	9 0 0 3 E 1 3 8

A60 Lamp

TYPE	Ø · H (MM)	ORDERCODE
2200K E27	ø60-110	9 0 0 3 E 1 2 4

T32-300 Lamp

TYPE	Ø · H (MM)	ORDERCODE
2200K E27	ø32-295	9 0 0 3 E 1 2 7

T30-225 LED Lamp

TYPE	Ø · H (MM)	ORDERCODE
2200K E27	ø30-225	9 0 0 3 E 1 2 9
2700K E27	ø30-300	9 0 0 3 E 1 3 6

T30-300 LED Lamp

TYPE	Ø · H (MM)	ORDERCODE
2200K E27	ø30-300	9 0 0 3 E 1 3 0
2700K E27	ø30-300	9 0 0 3 E 1 3 5

SUSPENSION OPTIONS

WIRO Decenter 1.0

TYPE	ORDERCODE
Suspension Set E27 2.6m	9 0 0 1 5 1 6 0
Suspension Set E27 6.0m	9 0 0 1 5 1 6 1
Suspension Set E27 2.6m	9 0 0 5 2 0 5 0
Suspension Set E27 6.0m	9 0 0 5 2 0 5 1

WIRO Plug + Play

TYPE	ORDERCODE
Suspension Set E27 Cable Plug with dimmer	9 0 0 1 5 1 6 5

WIRO Single Suspension

TYPE	ORDERCODE
Suspension Set no steel wire 2.6m	9 0 0 1 5 1 7 1
Suspension Set no steel wire 6.0m	9 0 0 1 5 1 7 2
Suspension Set with steel wire 2.6m	9 0 0 1 5 1 7 5
Suspension Set with steel wire 6.0m	9 0 0 1 5 1 7 6



WEVER & DUCRÉ
LIGHTING

WIRO GLOBE 2.0

228200B0

WIRO Decenter 2.0

TYPE	ORDERCODE
Suspension Set E27 2.6m for 2	9 0 0 5 2 0 5 5
Suspension Set E27 6.0m for 2	9 0 0 5 2 0 5 6

WIRO Decenter 3.0

TYPE	ORDERCODE
Suspension Set E27 2.6m for 3	9 0 0 5 2 0 6 0
Suspension Set E27 6.0m for 3	9 0 0 5 2 0 6 3

Ceiling Hook

TYPE	Ø · H (MM)	ORDERCODE
WIRO	∅16·30	9 0 0 5 2 0 6 1

Cable Wall Bracket

TYPE	Ø · H (MM)	ORDERCODE
WIRO	∅30·21	9 0 0 5 2 0 6 2

for WIRO suspension

TYPE	Ø · H (MM)	ORDERCODE
Strain Relief	∅12.5·13	9 0 0 5 2 0 6 4

WIRO Decenter 4.0

TYPE	ORDERCODE
Suspension Set E27 2.6m for 4	9 0 0 5 2 0 6 7

WIRO Decenter 5.0

TYPE	ORDERCODE
Suspension Set E27 2.6m for 5	9 0 0 5 2 0 6 8

WIRO Decenter 6.0

TYPE	ORDERCODE
Suspension Set E27 2.6m for 6	9 0 0 5 2 0 6 9

WIRO Decenter 7.0

TYPE	ORDERCODE
Suspension Set E27 2.6m for 7	9 0 0 5 2 0 7 0

WIRO Decenter 8.0

TYPE	ORDERCODE
Suspension Set E27 2.6m for 8	9 0 0 5 2 0 7 1