

# SUSPENDED LED LUMINAIRE

POWER SUPPLY: 230 V AC/ 50 - 60 Hz

LIGHT SOURCE: 3 x E27

POWER: max. 3 x 60 W

PROTECTION: IP20

DIMENSIONS: Ø 800 x 600 (1200) mm

MATERIAL: aluminium, wood, steel, PMMA

APPLICATION: interior



## TRILUM

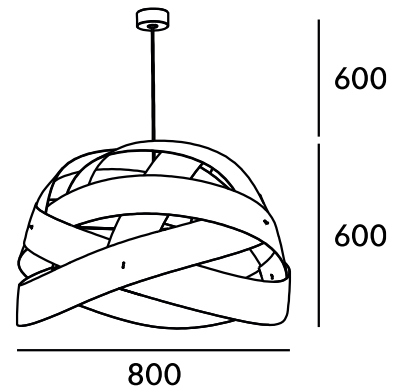
TRILUM - Sladovnicka 28 - 971 01 Trnava - Slovakia  
www.trilum.eu - trilum@trilum.eu - 00421 948 708 008

# DATA SHEET

woodLED NEST 800



DIMENSIONS



OPTIONAL VENEERING



Oak

Walnut

ORDER CODES

woodLED NEST 800, transparent cable, wooden base-Oak - 046-DD03000

woodLED NEST 800, transparent cable, wooden base-Walnut -046-WW03000

woodLED NEST 800, white cable, wooden base- Oak - 046-DD13000

woodLED NEST 800, white cable, wooden base -Walnut - 046-WW13000

woodLED NEST 800, black cable, wooden base -Oak - 046-DD23000

woodLED NEST 800, black cable, wooden base - Walnut - 046-WW23000

woodLED NEST 800, red cable, wooden base - Oak - 046-DD53000

woodLED NEST 800, red cable, wooden base - Walnut - 046-WW53000

woodLED NEST 800, brown cable, wooden base - Oak - 046-DD93000

woodLED NEST 800, brown cable, wooden base - Walnut - 046-WW93000

NOTES

Light source is not included.